



HOME

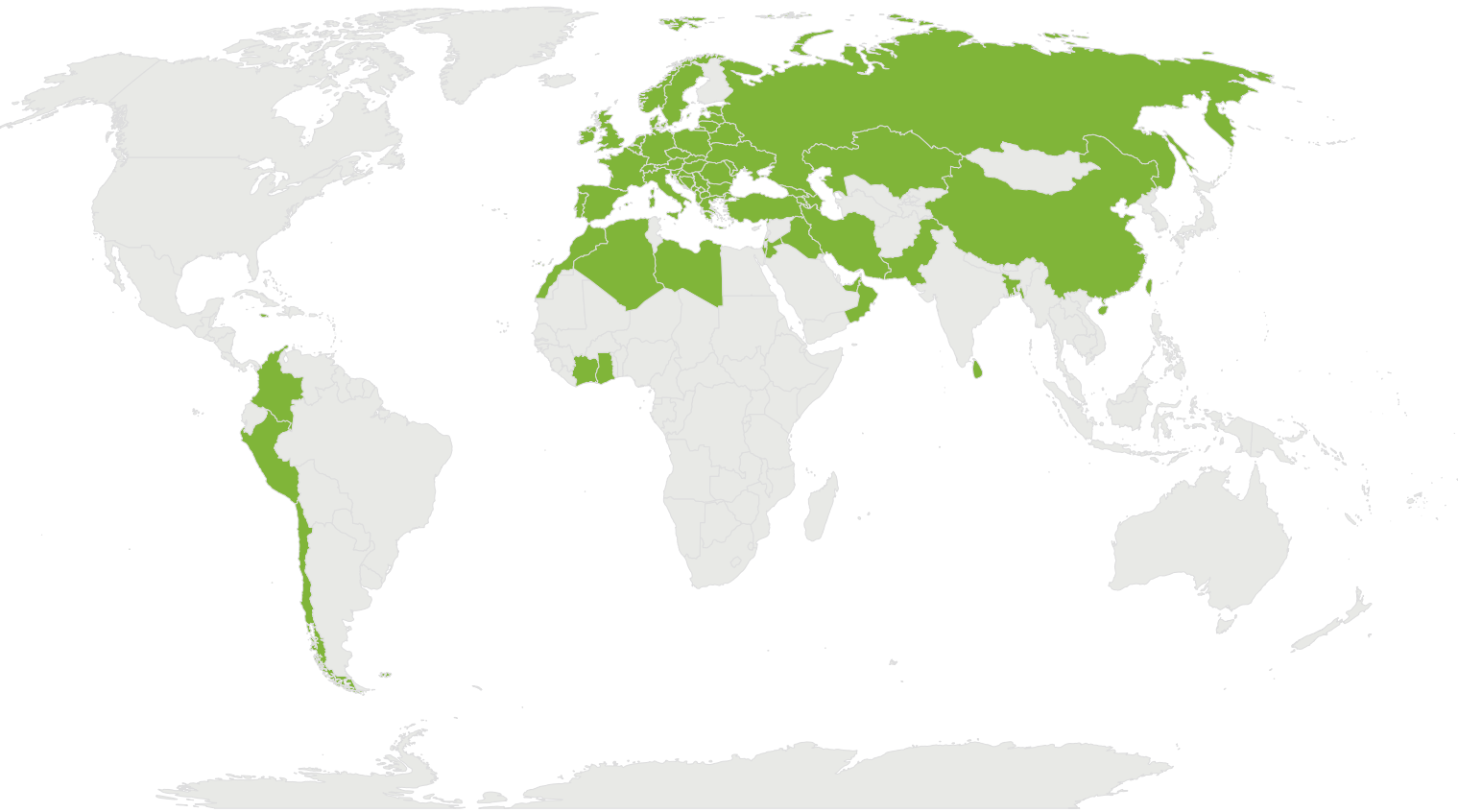


ELECTRIC WATER HEATERS



TESY

It's impressive



**MORE THAN
55 COUNTRIES**

4 CONTINENTS

**MORE THAN
840 EMPLOYEES**

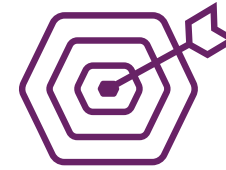
4 FACTORIES

ABOUT TESY

TESY is one of the leading European producers of **electric storage water heaters, indirectly heated water tanks, heat pump water heaters** and **electric heating appliances**.

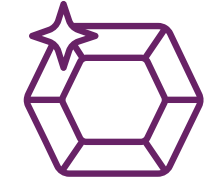
In the last decade TESY showed a rapid development and introduced to the world a wide range of cutting-edge products and patented solutions that meet the current requirements for energy efficiency and environmental protection.

The company continues its development by investing in the latest technologies, production capacity expansion and launching of new products.



MISSION

We set our hearts and minds on bringing warmth into your life.



VALUES

➤ PASSION

We are a passionate team of enthusiastic professionals with ambitious goals. Leading by example, we create a culture that inspires people to go the extra mile. We put our hearts and minds in everything we do to embrace dynamic change.

➤ INNOVATION

TESY people are open-minded, eager to learn and inspired to create. Challenging the status quo, we employ the latest technologies in supreme functionality and impressive design.

➤ TRUST

The shared vision for openness and integrity is the core virtue of TESY's long-term partnerships. Supportive, loyal and trustful, we offer reliable products and service quality with respect for the individual.



VISION

Raising the bar in our industry, to be globally recognised as a leader of innovation and design in hot water and heating solutions. More comfort with a single touch.



ELECTRIC WATER HEATERS

page 4	About TESI
page 5	Mission, Vision, Values
page 6	Catalogue content
page 7	How to read TESI symbols
page 8	Corporate social responsibility
page 10	Selecting a water heater
page 12	Why to choose TESI
page 14	Innovations
page 16	Solutions
page 18	BELLISLIMO FAMILY
page 20	BelliSlimo Cloud
page 22	BelliSlimo Dry
page 23	BelliSlimo
page 26	MODECO FAMILY
page 28	ModEco Cloud
page 30	ModEco Electronic
page 32	ModEco Ceramic
page 34	ModEco Ceramic with Heat Exchanger
page 36	ModEco
page 38	ModEco with Heat Exchanger
page 40	ModEco with Double-integrated Heat Exchanger
page 42	BILIGHT FAMILY
page 44	BiLight
page 46	BiLight Slim
page 48	BiLight with Heat Exchanger
page 50	BiLight with Highly-efficient Heat Exchanger
page 52	BiLight with Double-integrated Heat Exchanger
page 54	BiLight Horizontal
page 56	BiLight Horizontal with Heat Exchanger
page 58	BiLight Floor
page 60	ANTICALC FAMILY
page 62	Anticalc
page 64	Anticalc Slim
page 66	Anticalc Reversible
page 68	MAXEAU FAMILY
page 70	MaxEau Ceramic
page 72	MaxEau Ceramic with Heat Exchanger
page 74	MaxEau Hybrid
page 76	MaxEau
page 78	MaxEau Floor
page 80	COMPACT FAMILY
page 82	Compact 5
page 84	Compact 7
page 86	Compact 10/15
page 88	Compact 30
page 90	Energy labels

TESY SYMBOLS

	TESY CLOUD		ECO SMART MODE		TOUCH CONTROL PANEL
	STAINLESS STEEL PIPE		SLIM DESIGN		PLASMA WELDING
	HYGIENIC CERTIFICATE		COPPER HEATING ELEMENT		DRY HEATING ELEMENT
	PUSH-PUSH ROTATING KNOB		COMPACT SIZE		ABOVE SINK INSTALLATION
	INSUTECH TECHNOLOGY		TURBULATOR		PISTON EFFECT
	ANODE PROTECTOR		NO THERMAL BRIDGE		CAPILLARY THERMOSTAT
	LIMESCALE PROTECTION		EASY INSTALLATION		BILIGHT FUNCTION
	LCD ELECTRONIC DISPLAY		CERAMIC HEATING ELEMENT		ADJUSTABLE THERMOREGULATOR
	CRYSTALTECH		UNDER SINK INSTALLATION		

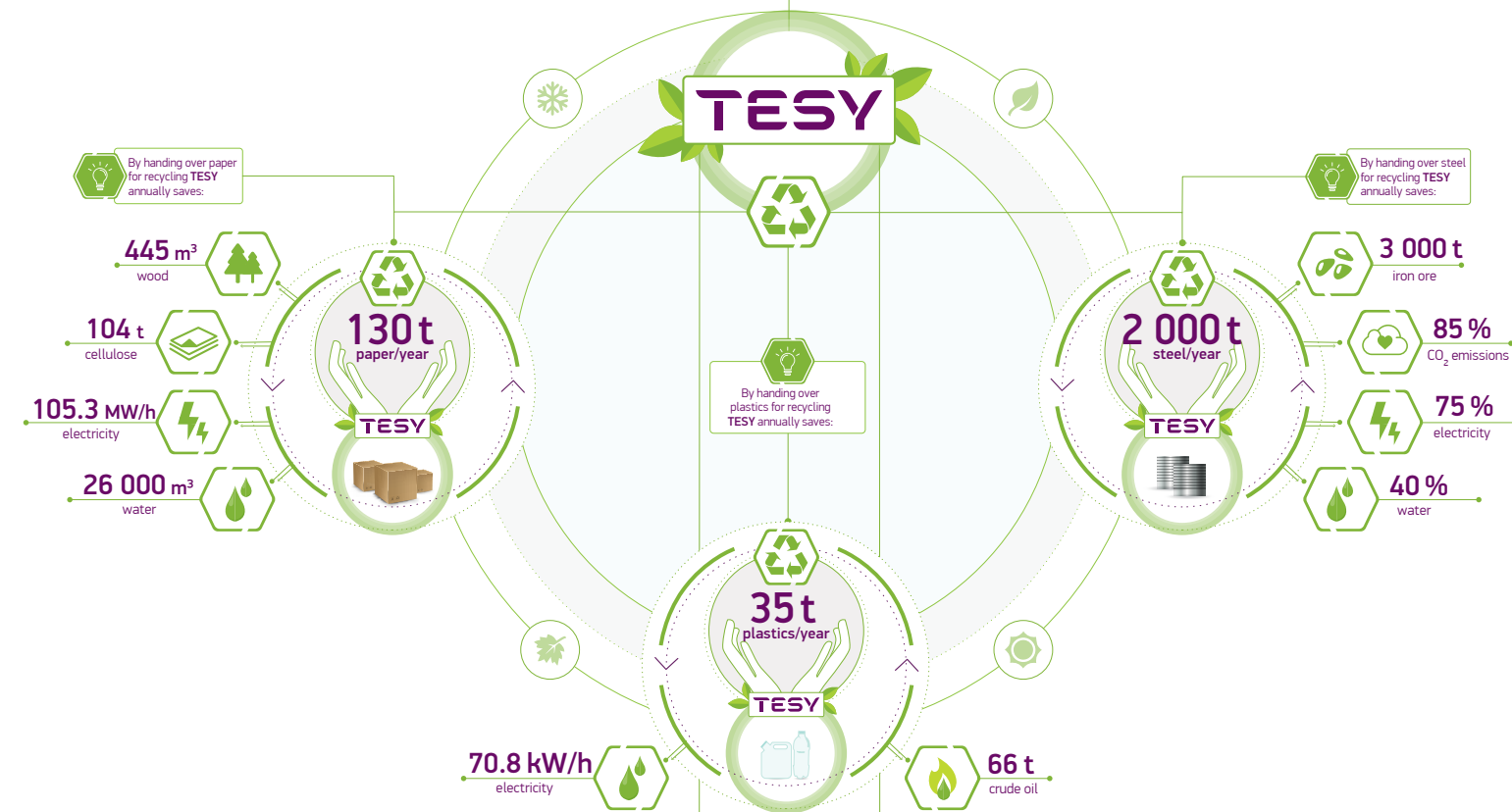
TESY is committed to integrate Corporate Social Responsibility into all business policies and practices and thus minimise the environmental impact during production.

We strive to constantly improve established processes and we are strictly following all regulations for environmental protection.

As our focus is on efficiency, our appliances can also use alternative sources of energy.



01 94% of TESY's waste is handed over for recycling and / or recovery.



02 92% of the packages of the supplied chemical substances and solvents used in production are reusable.

03 TESY produces appliances that can be connected to alternative sources of energy.

PRODUCT ADVISER

➤ **CONTROL VIA INTERNET:**

- 1. ModEco Cloud
- 2. BelliSlimo Cloud
- 3. BelliSlimo Dry Cloud



➤ **SMART:**

- 1. ModEco Cloud
- 2. ModEco Electronic
- 3. BelliSlimo
- 4. BelliSlimo Cloud
- 5. BelliSlimo Dry



➤ **HARD AND AGGRESSIVE WATER:**

- 1. ModEco Ceramic
- 2. Anticalc
- 3. MaxEau Ceramic
- 4. BelliSlimo Dry



➤ **COMPACT SIZE:**

- 1. Compact 5
- 2. Compact 7
- 3. Compact 10 / 15
- 4. Compact 30



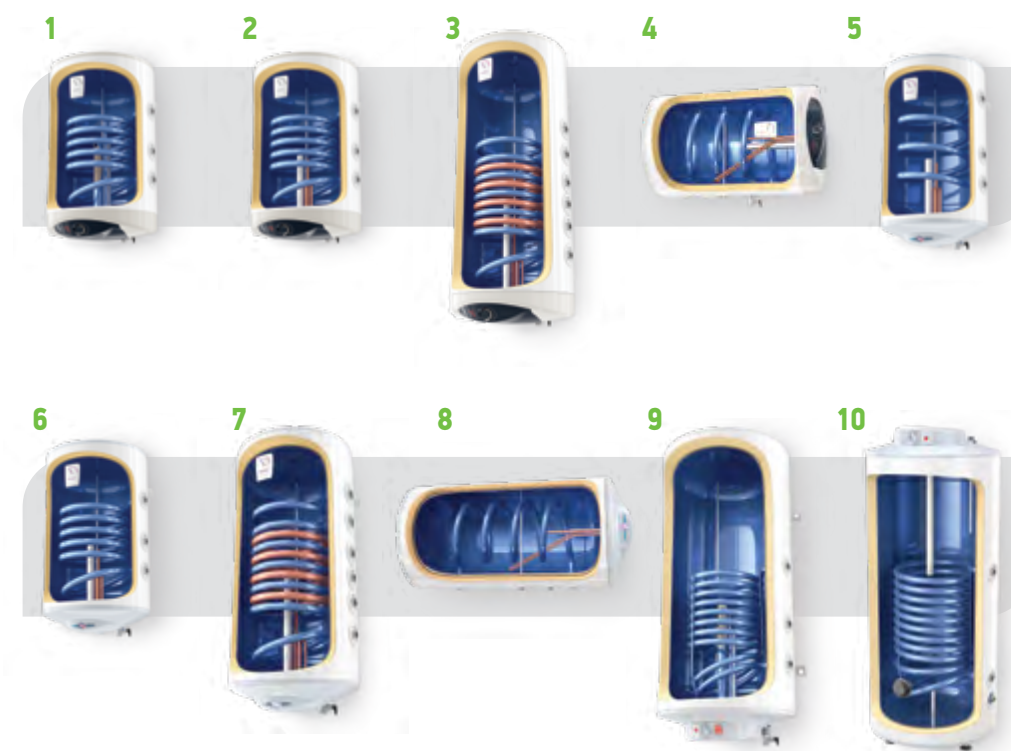
➤ **SPACE SAVING:**

- 1. BiLight Slim
- 2. BiLight Inox Slim
- 3. Anticalc Slim
- 4. BelliSlimo
- 5. BiLight Horizontal Slim



➤ **ALTERNATIVE SOURCES OF ENERGY:**

- 1. ModEco Ceramic with Heat Exchanger
- 2. ModEco with Heat Exchanger
- 3. ModEco with Double-integrated Heat Exchanger
- 4. ModEco Horizontal with Heat Exchanger
- 5. BiLight with Heat Exchanger
- 6. BiLight with Highly-efficient Heat Exchanger
- 7. BiLight with Double-integrated Heat Exchanger
- 8. BiLight Horizontal with Heat Exchanger
- 9. MaxEau Ceramic with Heat Exchanger
- 10. MaxEau Floor with Heat Exchanger



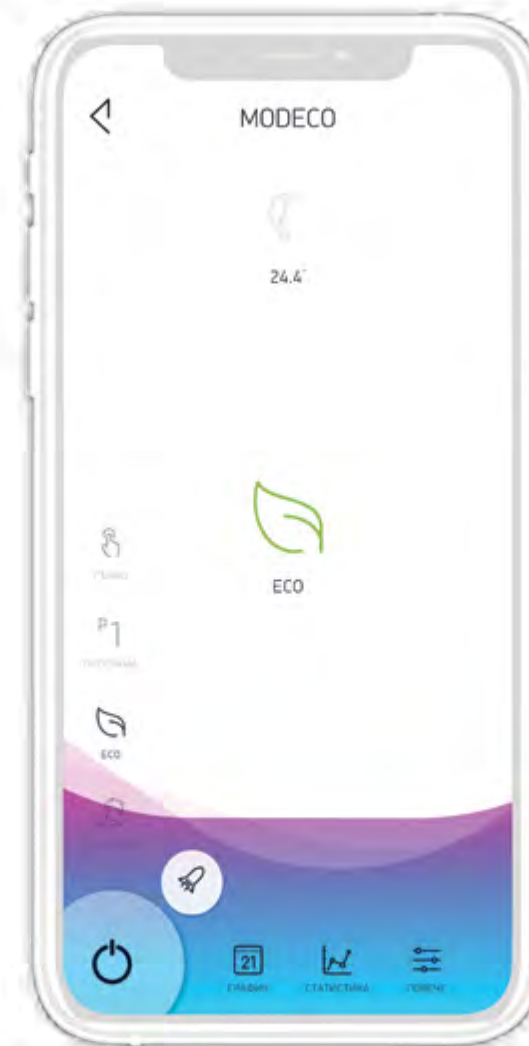


WHY TESIY?

because you get....

- **The comfort** of real time monitoring and control of your water heater any time any place via highly secured internet connection.
- **The luxury** to use a smart appliance which takes care of your everyday life and ensures hot water exactly when you need it.
- **The safety** to rely on a robust and durable water tank construction.
- **The convenience** of easy cleaning and service of your appliance for life-long excellent operation.
- **The pleasure** to enjoy all the hot water you and your loved ones need.

TESIY CLOUD & TESIY CLOUD APP



TESIY Cloud together with the TESIY Cloud App provides real-time monitoring and control of the water heater via Internet at any time and anywhere. The installation and connection of the appliances is made easy and intuitive. Backup and recovery of the preferred operating modes is ensured in cases of loss of power or Internet connection failure. The connection between the water heater and the Cloud is encrypted and highly secure, guaranteeing protection against any unwanted access. The option to link two or more electric water heaters enables fast and convenient control of the group. Using the precise programming and the remote control results in a reduction of the monthly electricity bills.

TESIY Cloud App provides easy access to various functionalities:

- **Weekly programmer** - used for setting the weekly operation of the electric water heater. A schedule can be set for each day of the week and each hour of the day, according to the customer's preferences.
- **Vacation mode** - suitable for situations when the customer will not be at home for a period of time. By setting the duration of the absence, the expected return date and the desired temperature of the water, the electric water heater will know when the customer will be back and will deliver enough hot water. During the vacation period the appliance will operate in Anti-freeze mode.
- **Energy calculator** - allows easy monitoring of the consumed energy since the beginning of the electric water heater's operation or the last reset of the calculator.
- **Boost function** - one-time heating up to the maximum temperature.

ECO SMART MODE

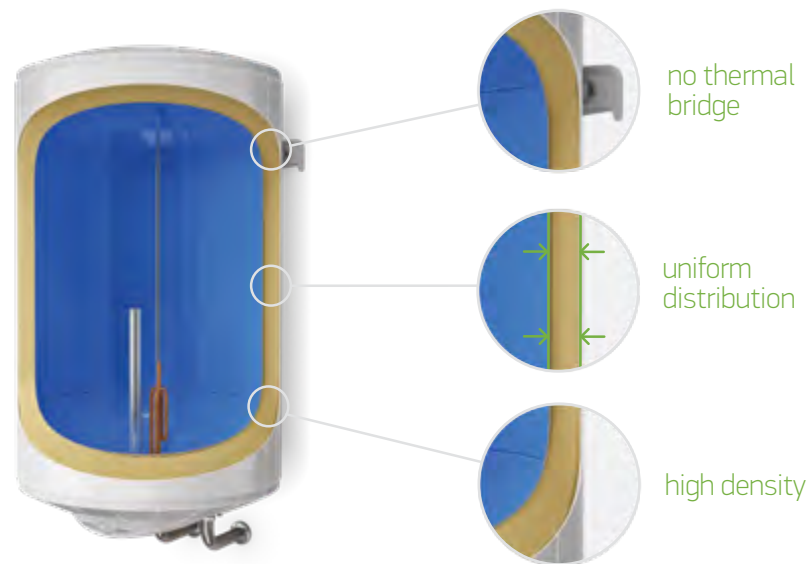


ECO SMART MODE - intelligent & self-learning mode that ensures up to **18% energy savings** on a weekly basis.

ECO Smart operating mode helps reduce the electricity costs without sacrificing the amount of hot water or the user's comfort. The software integrated into the electronic control, similarly to an artificial intelligence, independently tracks and memorises the habits of the user, thus creating a time schedule and managing the appliance's operation. This provides it ensures hot water exactly when it is needed.

The ECO Smart mode also allows a one-off heating-up to the maximum temperature with no change to the established operating schedule (Boost).

INSUTECH



INSUTECH is a special technology that creates a highly efficient insulation for preserving the water hot until the time of usage. It allows elimination of the thermal bridge between the water tank and the mounting bracket which results in up to 16% lower thermal losses.

The precise parallel alignment of the water tank and the external jacket guarantees high density and uniform distribution of the insulation. The CFC and HCFC free PU formula makes the insulation safe and environmental-friendly.

PISTON EFFECT



REGULAR WATER HEATER

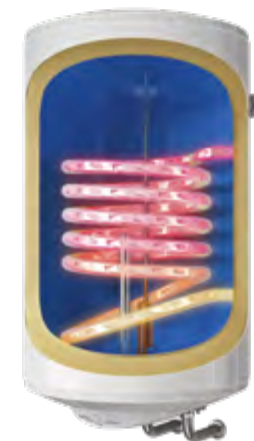
Revolutionary solution for more hot water. The structure of the inlet nozzle creates a **PISTON** – slowing down the infusion of the incoming cold and the already heated water in the appliance by leveling the pressures in the mixing area. With the NEW Piston nozzle a horizontal TESI water heater delivers a comparable quantity of hot water as a vertical one.



PISTON NOZZLE

TESY WATER HEATER

TURBULATOR

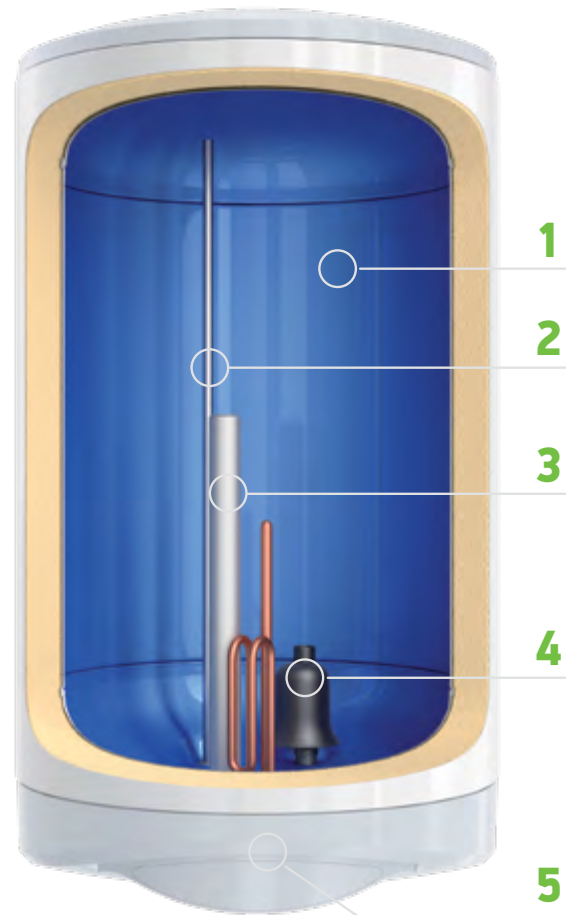


The **TURBULATOR** is a metal element with special perforations integrated along the whole length of the heat exchanger tube. It breaks the hot core of the fluid, circulating through the heat exchanger, pushing it to the inner walls of the latter, thus increasing the efficiency of the thermal transfer to the water inside the tank.

PLASMA WELDING



The **PLASMA WELDING** method ensures a high-quality and durable bond between the edges of the steel sheet forming the cylinder of the water tank by using a computerised and a low welding temperature. The absence of extra materials in the welding process grants a smoother surface, which ensures a high quality enameling.



1 CRYSTALTECH PROTECTION

CrystalTech is a new precise enamel coating of the water tank for protection against corrosion. The technologically higher level of precision of the enamelling process ensures an even distribution along the whole surface. Meanwhile the better adhesion to the metal enhances the durability of the water heater. The higher content of titanium in the enamel powder guarantees the additional strength and longer life of the water tank, regardless of the water quality.

2 STAINLESS STEEL HOT WATER PIPE

The **hot water pipe** of all TESI electric water heaters is made of **stainless steel**, which resists the high temperature and pressure inside the tank, guaranteeing trouble-free operation throughout the water heater's life.

3 ANODE PROTECTOR

The **magnesium anode** protects the CrystalTech enamel coating for trouble-free operation and longer life of the water tank. It easily can be dismantled and replaced.

4 NEW PISTON NOZZLE

Revolutionary solution for more hot water.

5 LARGE FLANGE

The **flange** is large enough to ensure easy cleaning and maintenance of the electric water heater.

UNIVERSAL MOUNTING PLATE

The universal mounting plate is used for easy replacement of a water heater without additional drilling of the wall.

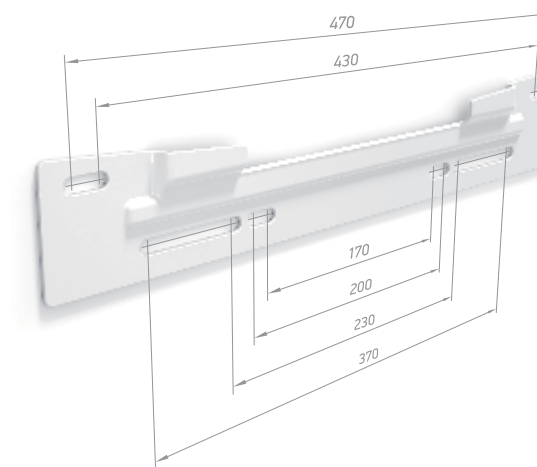
Easy installation in 2 steps:

Step 1: Mount the plate in the already existing openings on the wall

Step 2: Fix the water heater using its own mounting plate (without any additional fixing elements)

Safe and durable

Stylish design

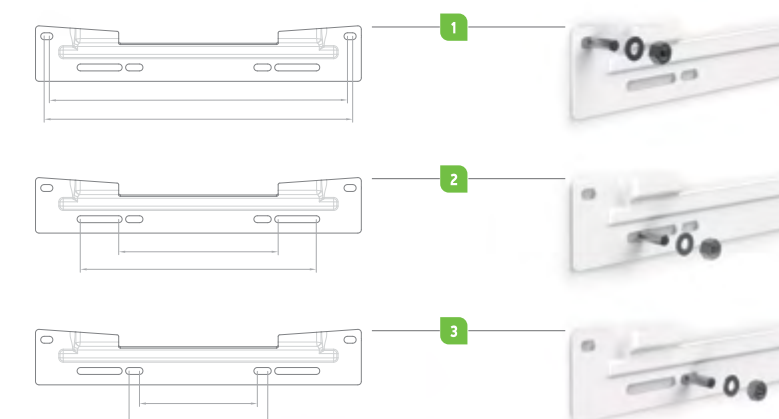


Step 1



Step 2

1, 2, 3 - Variation of the available distance between the holes





Bellislimo

A piece of art

Bellislimo Cloud

Bellislimo Cloud is the latest addition to the TESI Cloud family of products connectable to the Internet. It features intuitive programming and monitoring by means of the TESI Cloud app for iOS and Android.

Bellislimo

Bellislimo sets new industry standards with its modern Italian design and latest technologies. With a slim silhouette and optional vertical or horizontal installation, it offers a first shower in less than 40 minutes.

Bellislimo Dry

Bellislimo Dry is the solution where space-saving in regions with hard or aggressive water is a key priority. Four dry heating elements made of stainless steel ensure protection against limescale, noiseless operation and long product life.



BelliSlimo Cloud

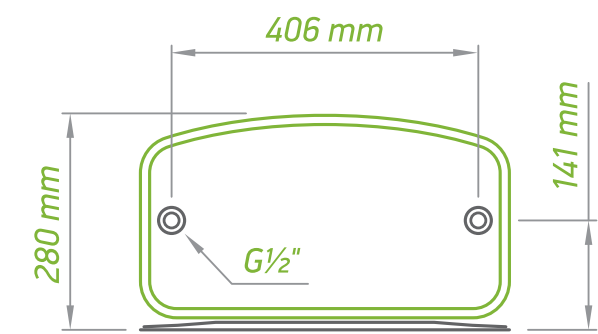
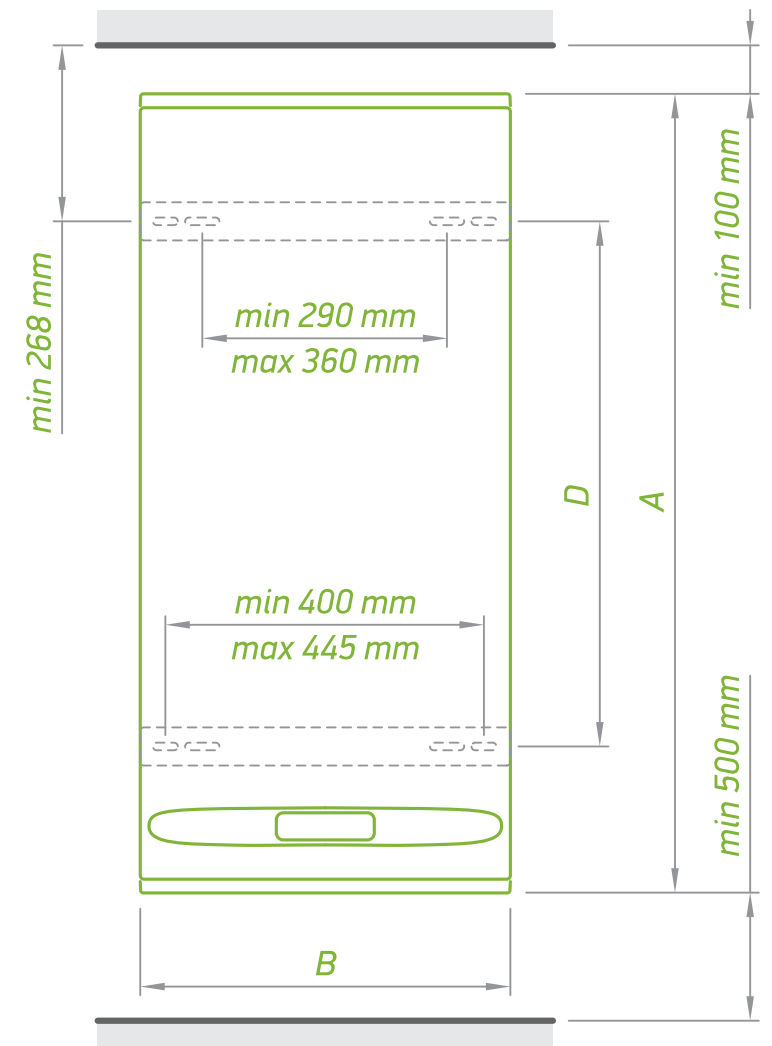
- **CONTROL VIA INTERNET:**
 - Easy installation and connection of the water heater to the **TESY Cloud app**
 - Real-time monitoring and control of the water heater anytime, anywhere
 - Energy consumption monitoring through the energy calculator
- **COPPER OR DRY HEATING ELEMENTS**
- **ENERGY CLASS B:** The highest energy class in its category
- **REVERSIBLE:** Can be installed vertically or horizontally
- **ECO SMART MODE:** Intelligent and self-learning mode that ensures up to 18% energy saving weekly
- **QUICK FIRST SHOWER:** Quickly heats up enough water for your first shower
- **VACATION MODE:** Set when you will be back home and how much hot water you will need
- **BOOST FUNCTION:** One-time heating up to the maximum temperature
- **WEEKLY PROGRAMMING:** Allows personalised programming for every day of the week and every hour of the day
- **REVERSE COUNTER:** Counts down until the water heater reaches the desired temperature
- Range 50 - 100

MODEL	BELLISLIMO CLOUD DRY 50		BELLISLIMO CLOUD DRY 80		BELLISLIMO CLOUD DRY 100		BELLISLIMO CLOUD 50		BELLISLIMO CLOUD 80		BELLISLIMO CLOUD 100	
CODE	GCR 502724D E31 ECW		GCR 802724D E31 ECW		GCR 1002724D E31 ECW		GCR 502722 E31 ECW		GCR 802722 E31 ECW		GCR 1002722 E31 ECW	
Rated power	W	1200 / 2400	1200 / 2400	1200 / 2400	1200 / 2400	1200 / 2400	1200 / 2200	1200 / 2200	1200 / 2200	1200 / 2200	1200 / 2200	1200 / 2200
Installation		V H	V H	V H	V H	V H	V H	V H	V H	V H	V H	V H
Heating time -Δt 45 K (15 - 60° C)		1h 18 min	2h 07 min	2h 36 min	1h 20 min	2h 11 min	2h 41 min					
Annual consumption of electricity AEC	kWh	1269 1268	1272 1219	1242 1272	1241 1241	1256 1256	1281 1281					
Energy class		B B	B B	B B	B B	B B	B B					
Load profile		M M	M M	M M	M M	M M	M M					
*T out of box	°C	80 80	80 80	80 80	80 80	80 80	80 80					
**V 40	L	83 68	140 105	154 105	80 70	140 109	171 103					
***T max	°C	80 80	80 80	80 80	80 80	80 80	80 80					
****Max 40	L	83 68	140 105	154 105	80 72	140 109	170 120					
Real Volume	L	40	65	80	40	65	80					

THE PRESENTED DATA ARE VALID FOR VERTICAL INSTALLATION
 *T out of box – the optimal working temperature for the specific electric water heater model, set by the producer
 **V 40 – the quantity of hot water, which the electric water heater can produce, while working at T out of box
 ***T max – the maximal working temperature of the electric water heater
 ****Max 40 – the maximal quantity of hot water, which the electric water heater can produce, while working at maximum temperature

REVERSIBLE MODELS

- TESY CLOUD
- ECO SMART MODE
- LCD ELECTRONIC DISPLAY
- TOUCH CONTROL PANEL
- INSUTECH TECHNOLOGY
- NO THERMAL BRIDGE
- CRYSTALTECH
- STAINLESS STEEL PIPE
- HYGIENIC CERTIFICATE
- EASY INSTALLATION



PRODUCT DIMENSIONS	BELLISLIMO CLOUD DRY 50	BELLISLIMO CLOUD DRY 80	BELLISLIMO CLOUD DRY 100	BELLISLIMO CLOUD 50	BELLISLIMO CLOUD 80	BELLISLIMO CLOUD 100
CODE	GCR 502724D E31 ECW	GCR 802724D E31 ECW	GCR 1002724D E31 ECW	GCR 502722 E31 ECW	GCR 802722 E31 ECW	GCR 1002722 E31 ECW
height (A)	mm 709	1053	1287	709	1053	1279
width (B)	mm 490	490	490	490	490	490
depth (C)	mm 280	280	280	280	280	280
D	mm 405	695	880	405	695	880



BelliSlimo Dry

- **2 DUAL DRY HEATING ELEMENTS**
- **ENERGY CLASS B:** The highest energy class in its category
- **REVERSIBLE:** Can be installed vertically or horizontally
- **ECO SMART MODE:** Intelligent and self-learning mode that ensures up to 18% energy saving weekly
- **DOUBLE TANK:** Two water tanks with separate dry heating elements
- **QUICK FIRST SHOWER:** Quickly heats up enough water for your first shower
- **VACATION MODE:** Set when you will be back home and how much hot water you will need
- **BOOST FUNCTION:** One-time heating up to the maximum temperature
- **WEEKLY PROGRAMMING:** Allows personalised programming for every day of the week and every hour of the day
- **REVERSE COUNTER:** Counts down until the water heater has reached the desired temperature
- Range 50 - 100

MODEL	BELLISLIMO DRY 50		BELLISLIMO DRY 80		BELLISLIMO DRY 100		
CODE	GCR 502724D E31 EC		GCR 802724D E31 EC		GCR 1002724D E31 EC		
Rated power	W	1200 / 2400		1200 / 2400		1200 / 2400	
Installation		V	H	V	H	V	H
Heating time -Δ t 45 K (15 - 60° C)		1h 18 min		2h 07 min		2h 36 min	
Annual consumption of electricity AEC	kWh	1269	1268	1272	1219	1242	1272
Energy class		B	B	B	B	B	B
Load profile		M	M	M	M	M	M
*T out of box	°C	80	80	80	80	80	80
**V 40	L	83	68	140	105	154	105
***T max	°C	80	80	80	80	80	80
****Max 40	L	83	68	140	105	154	105
Real Volume	L	40		65		80	

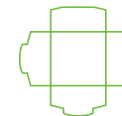
THE PRESENTED DATA ARE VALID FOR VERTICAL INSTALLATION

*T out of box – the optimal working temperature for the certain electric water heater model, set by the producer

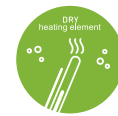
**V 40 – the quantity of hot water, which the electric water heater can produce, while working at T out of box

***T max – the maximal working temperature of the electric water heater

****Max 40 – the maximal quantity of hot water, which the electric water heater can produce, while working at maximum temperature



REVERSIBLE MODELS



DRY HEATING ELEMENT



ECO SMART MODE



LCD ELECTRONIC DISPLAY



TOUCH CONTROL PANEL



INSUTECH TECHNOLOGY



NO THERMAL BRIDGE



STAINLESS STEEL PIPE



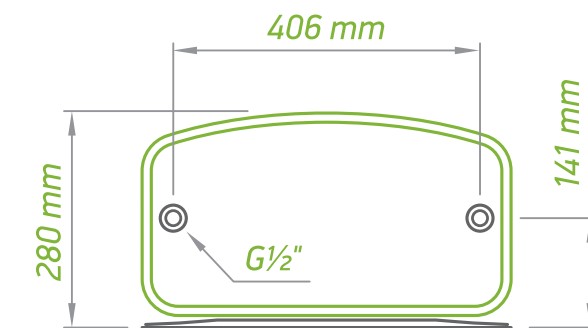
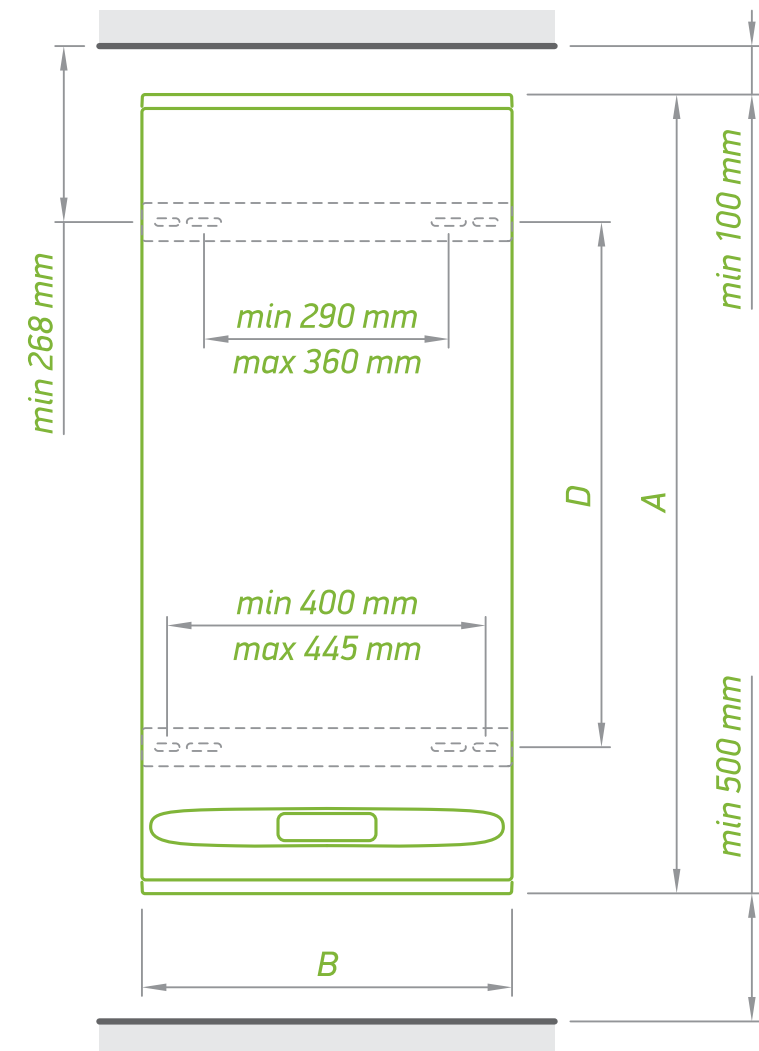
HYGIENIC CERTIFICATE



CRYSTALTECH



EASY INSTALLATION



PRODUCT DIMENSIONS	BELLISLIMO DRY 50		BELLISLIMO DRY 80		BELLISLIMO DRY 100	
CODE	GCR 502724D E31 EC		GCR 802724D E31 EC		GCR 1002724D E31 EC	
height (A)	mm	709	1053	1287		
width (B)	mm	490	490	490		
depth (C)	mm	280	280	280		
D	mm	405	695	880		



Bellislimo

- **2 COPPER HEATING ELEMENTS**
- **ENERGY CLASS B:** The highest energy class in its category
- **REVERSIBLE:** Can be installed vertically or horizontally
- **ECO SMART MODE:** Intelligent and self-learning mode that ensures up to 18% energy saving weekly
- **DOUBLE TANK:** Two water tanks with separate copper heating elements
- **QUICK FIRST SHOWER:** Quickly heats up enough water for your first shower
- **VACATION MODE:** Set when you will be back home and how much hot water you will need
- **BOOST FUNCTION:** One-time heating up to the maximum temperature
- **WEEKLY PROGRAMMING:** Allows personalised programming for every day of the week and every hour of the day
- **REVERSE COUNTER:** Counts down until the water heater has reached the desired temperature
- Range 30 - 100

MODEL		BELLISLIMO 30	BELLISLIMO 50	BELLISLIMO 80	BELLISLIMO 100
CODE		GCR 302712 E31 EC	GCR 502722 E31 EC	GCR 802722 E31 EC	GCR 1002722 E31 EC
Rated power	W	1200/1200	1200/2200	1200/2200	1200/2200
Installation		V H	V H	V H	V H
Heating time -Δ t 45 K (15 - 60° C)	h:min	1:05	1:20	2:11	2:41
Annual consumption of electricity AEC	kWh	482 493	1241 1241	1256 1256	1281 1281
Energy class		A B	B B	B B	B B
Load profile		S S	M M	M M	M M
*T out of box	°C	79 79	79 79	78 78	78 69
**V 40	L	47 45	80 70	140 109	171 103
***T max	°C	79 79	79 79	78 78	78 78
****Max 40	L	47 45	80 70	140 109	171 120
Real Volume	L	25	40	65	80

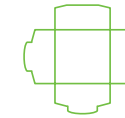
THE PRESENTED DATA ARE VALID FOR VERTICAL INSTALLATION

*T out of box – the optimal working temperature for the certain electric water heater model, set by the producer

**V 40 – the quantity of hot water, which the electric water heater can produce, while working at T out of box

***T max – the maximal working temperature of the electric water heater

****Max 40 – the maximal quantity of hot water, which the electric water heater can produce, while working at maximum temperature



REVERSIBLE MODELS



ECO SMART MODE



CRYSTALTECH



LCD ELECTRONIC DISPLAY



TOUCH CONTROL PANEL



INSUTECH TECHNOLOGY



NO THERMAL BRIDGE



STAINLESS STEEL PIPE



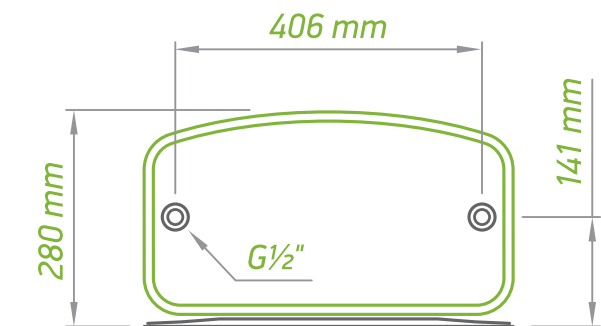
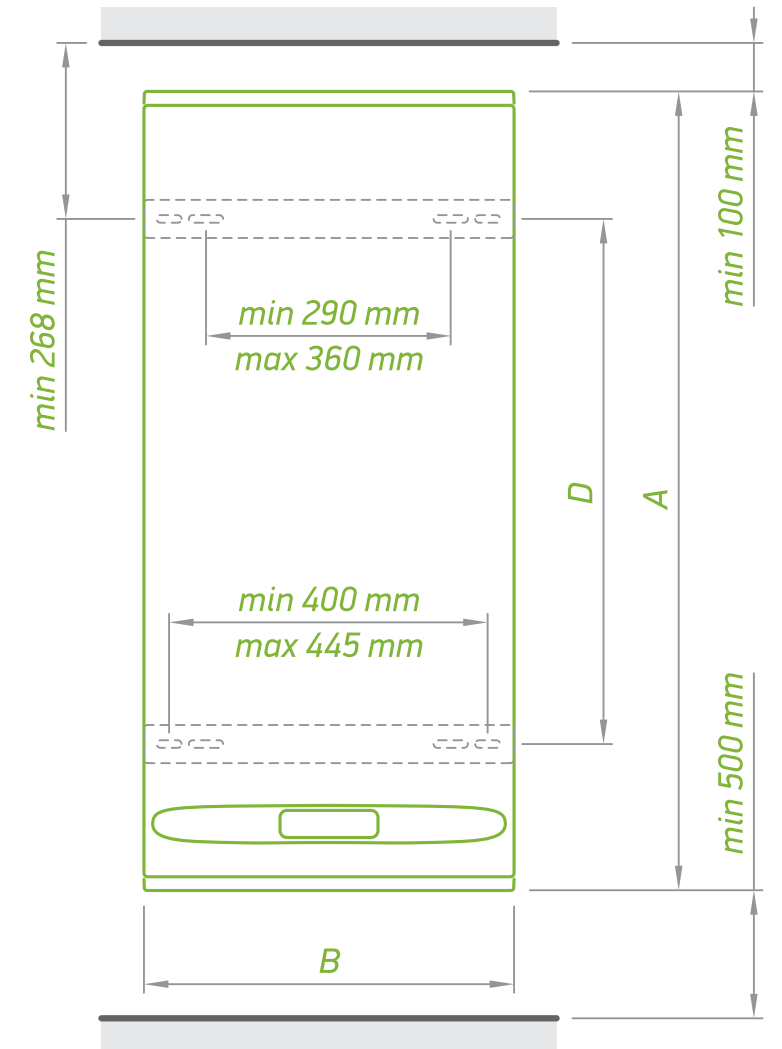
HYGIENIC CERTIFICATE



EASY INSTALLATION



COPPER HEATING ELEMENT



PRODUCT DIMENSIONS		BELLISLIMO 30	BELLISLIMO 50	BELLISLIMO 80	BELLISLIMO 100
CODE		GCR 302712 E31 EC	GCR 502722 E31 EC	GCR 802722 E31 EC	GCR 1002722 E31 EC
height (A)	mm	492	704	1053	1279
width (B)	mm	490	490	490	490
depth (C)	mm	280	280	280	280
D	mm	165	405	695	880



ModEco

Modern Design, Smart Technology

- Next-generation electric water heaters, combining modern design and eco-friendly smart technology.
- **ModEco** family accommodates all the product and technological innovations people have come to expect from TESI. The 32 mm highly efficient PU insulation guarantees low thermal losses, meeting the highest requirements of the European markets.
- **ModEco Family** includes:
 - **ModEco Cloud Series** - providing the comfort to monitor and control your water heater via Internet anytime, anywhere
 - **ModEco Electronic Series** - integrated Smart Mode to reduce the energy costs without sacrificing hot water quantity or the user's comfort
 - **ModEco Ceramic Series** - equipped with a ceramic heating element, providing reliable protection against aggressive water
 - **ModEco Series** - including models with a copper heating element, with or without a heat exchanger, as well as models with a double-integrated heat exchanger.



ModEco Cloud

CONTROL VIA INTERNET:

- Easy installation and connection of the water heater to the **TESY Cloud app**
- Real-time monitoring and control of the water heater anytime, anywhere
- Energy consumption monitoring through the energy calculator

INDOOR CONNECT:

Control the device directly through a local network: no internet connection required

ENERGY CLASS B:

The highest energy class in its category

CERAMIC HEATING ELEMENT

- Limescale protection
- Noiseless operation
- Easy maintenance

ECO SMART MODE:

Intelligent and self-learning mode that ensures up to 18% energy saving weekly

AUTOMATIC ANTI-LEGIONELLA CYCLE:

Automatic Antilegionella setting neutralises germs in the water tank

EXTRA PROTECTION FOR LONGER LIFE:

An alert activates when there is no water in the tank and switches off the appliance

VACATION MODE:

Set when you will be back home and how much hot water you will need

BOOST FUNCTION:

One-time heating up to the maximum temperature

WEEKLY PROGRAMMING:

Allows personalised programming for every day of the week and every hour of the day

Range 50 L - 150 L

MODEL		MODECO CLOUD 50	MODECO CLOUD 80	MODECO CLOUD 100	MODECO CLOUD 120	MODECO CLOUD 150
CODE		GCV 504724D C22 ECW	GCV 804724D C22 ECW	GCV 1004724D C22 ECW	GCV 1204724D C22 ECW	GCV 1504724D C22 ECW
Real Volume	L	50	82	100	120	143
Diameter	mm	470	470	470	470	470
Rated power	W	1600	2400	2400	2400	2400
Heating time -Δ t 45 K (15 - 60° C)		1 h 37 min	1 h 47 min	2 h 10 min	2 h 36 min	3 h 05 min
Annual consumption of electricity AEC	kWh	1204	1103	1238	2500	2483
Energy class		B	B	B	C	C
Load profile		M	M	M	L	L
*T out of box	°C	70	70	70	70	70
**V 40	L	84	142	166	222	261
***T max	°C	75	75	75	75	75
****Max 40	L	94	154	192	236	279
Insulation	mm	32	32	32	32	32

THE PRESENTED DATA ARE VALID FOR VERTICAL INSTALLATION

*T out of box – the optimal working temperature for the certain electric water heater model, set by the producer

**V 40 – the quantity of hot water, which the electric water heater can produce, while working at T out of box

***T max – the maximal working temperature of the electric water heater

****Max 40 – the maximal quantity of hot water, which the electric water heater can produce, while working at maximum temperature



TESY CLOUD



ECO SMART MODE



INSUTECH TECHNOLOGY



TOUCH CONTROL PANEL



PISTON EFFECT



NO THERMAL BRIDGE



CERAMIC HEATING ELEMENT



STAINLESS STEEL PIPE



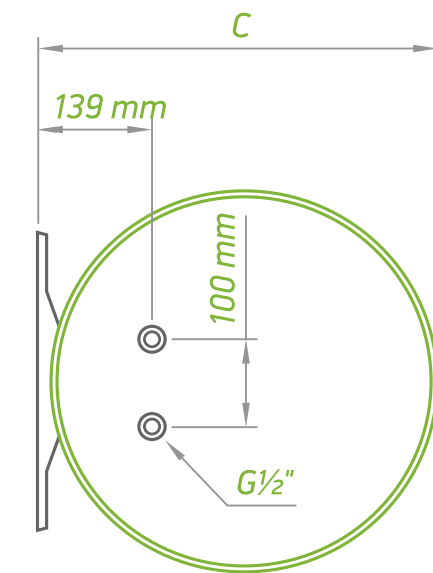
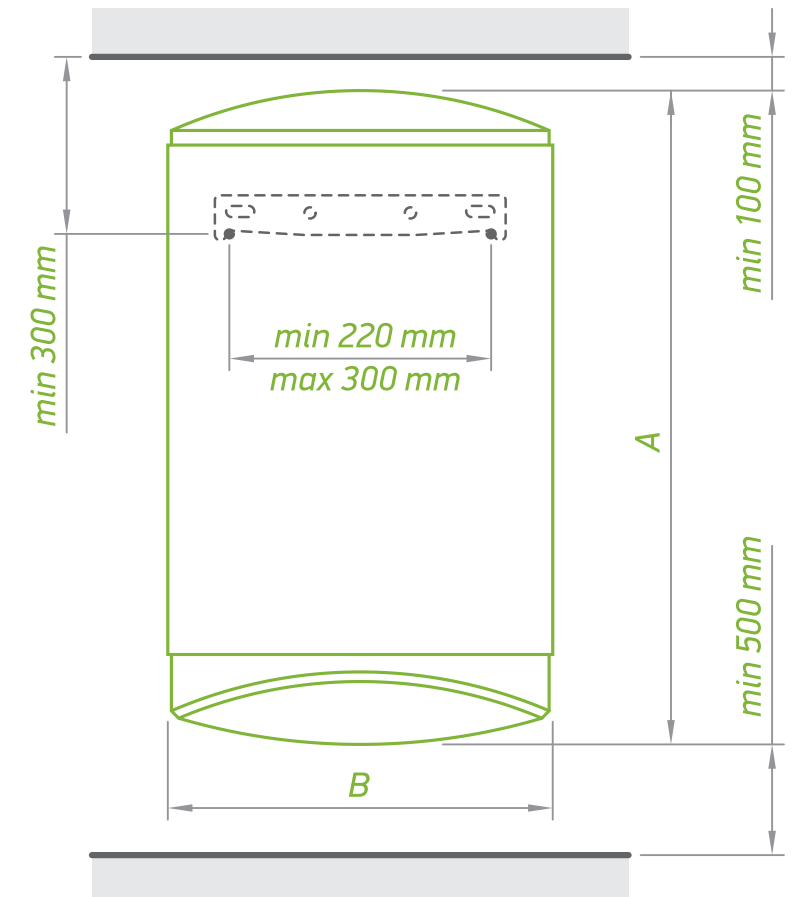
CRYSTALTECH



HYGIENIC CERTIFICATE



PLASMA WELDING



PRODUCT DIMENSIONS		MODECO CLOUD 50	MODECO CLOUD 80	MODECO CLOUD 100	MODECO CLOUD 120	MODECO CLOUD 150
CODE		GCV 504724D C22 ECW	GCV 804724D C22 ECW	GCV 1004724D C22 ECW	GCV 1204724D C22 ECW	GCV 1504724D C22 ECW
height (A)	mm	595	845	985	1150	1315
width (B)	mm	470	470	470	470	470
depth (C)	mm	496	496	496	496	496



ModEco Electronic

- **ENERGY CLASS B:** The highest energy class in its category
- **COPPER HEATING ELEMENT**
- **ECO SMART MODE:** Intelligent and self-learning mode that ensures up to 18% energy saving weekly
- Touch-control panel and LCD display with crystal clear visualisation
- **VACATION MODE:** Set when you will be back home and how much hot water you will need
- **BOOST FUNCTION:** One-time heating up to the maximum temperature
- **WEEKLY PROGRAMMING** allowing personalised programming for every day of the week and for every hour
- Range 50 L - 100 L

MODEL		MODECO ELECTRONIC 50	MODECO ELECTRONIC 80	MODECO ELECTRONIC 100
CODE		GCV 504720 C21 EC	GCV 804720 C21 EC	GCV 1004720 C21 EC
Real Volume	L	50	82	100
Diameter	mm	470	470	470
Rated power	W	2000	2000	2000
Heating time -Δ t 45 K (15 - 60 °C)		1 h 18 min	2 h 08 min	2 h 36 min
Annual consumption of electricity AEC	kWh	1313	1312	1316
Energy class		B	B	B
Load profile		M	M	M
*T out of box	°C	70	70	70
**V 40	L	94	151	186
***T max	°C	75	75	75
****Max 40	L	101	168	209
Insulation	mm	32	32	32

THE PRESENTED DATA ARE VALID FOR VERTICAL INSTALLATION

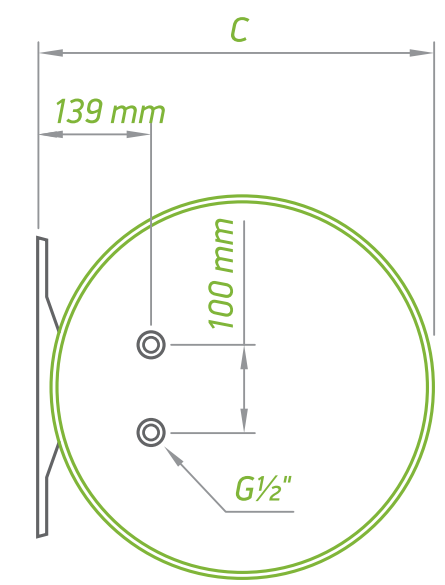
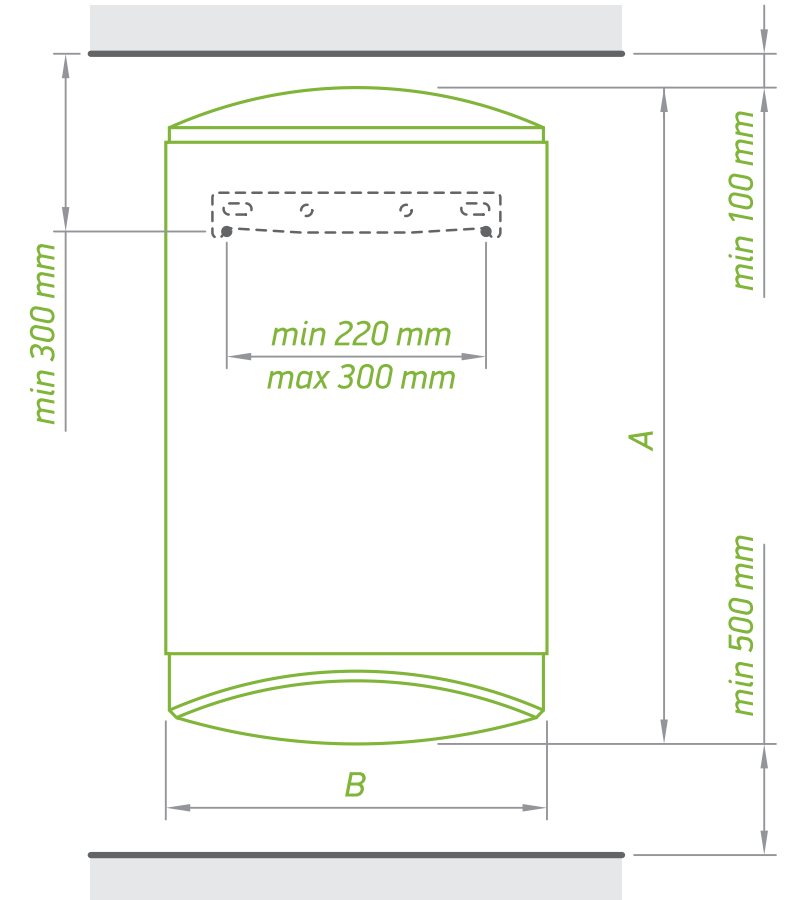
*T out of box – the optimal working temperature for the certain electric water heater model, set by the producer

**V 40 – the quantity of hot water, which the electric water heater can produce, while working at T out of box

***T max – the maximal working temperature of the electric water heater

****Max 40 – the maximal quantity of hot water, which the electric water heater can produce, while working at maximum temperature

- ECO SMART MODE
- TOUCH CONTROL PANEL
- LCD ELECTRONIC DISPLAY
- NO THERMAL BRIDGE
- INSUTECH TECHNOLOGY
- STAINLESS STEEL PIPE
- PISTON EFFECT
- HYGIENIC CERTIFICATE
- CRYSTALTECH
- PLASMA WELDING
- COPPER HEATING ELEMENT



PRODUCT DIMENSIONS		MODECO ELECTRONIC 50	MODECO ELECTRONIC 80	MODECO ELECTRONIC 100
CODE		GCV 504720 C21 EC	GCV 804720 C21 EC	GCV 1004720 C21 EC
height (A)	mm	595	845	985
width (B)	mm	470	470	470
depth (C)	mm	496	496	496



ModEco Ceramic

- **ENERGY CLASS B:** The highest energy class in its category (for 80 L and 100 L models)
- **CERAMIC HEATING ELEMENT:**
 - Limescale protection
 - Noiseless operation
 - Easy maintenance without draining
 - Two power settings
- **BILIGHT INDICATION:**
 - Red light for Heating mode
 - Blue light for Ready-to-use mode
- Range 50 L - 150 L

MODEL		MODECO CERAMIC 50	MODECO CERAMIC 80	MODECO CERAMIC 100	MODECO CERAMIC 120	MODECO CERAMIC 150
CODE		GCV 504716D C21 TS2R	GCV 804724D C21 TS2R	GCV 1004724D C21 TS2R	GCV 1204724D C21 TS2R	GCV 1504724D C21 TS2R
Real Volume	L	50	82	100	120	142
Diameter	mm	470	470	470	470	470
Rated power	W	800 / 1600	1200 / 2400	1200 / 2400	1200 / 2400	1200 / 2400
Heating time $-\Delta t 45 K$ (15 - 60° C)		3 h 15 min 1 h 37 min	3 h 34 min 1 h 47 min	4 h 21 min 2 h 10 min	5 h 13 min 2 h 36 min	6 h 10 min 3 h 05 min
Annual consumption of electricity AEC	kWh	1360	1315	1314	2652	4303
Energy class		C	B	B	C	C
Load profile		M	M	M	L	XL
*T out of box	°C	60	70	60	60	70
**V 40	L	71	145	145	161	249
***T max	°C	70	70	70	70	70
****Max 40	L	86	145	171	175	249
Insulation	mm	32	32	32	32	32

THE PRESENTED DATA ARE VALID FOR VERTICAL INSTALLATION

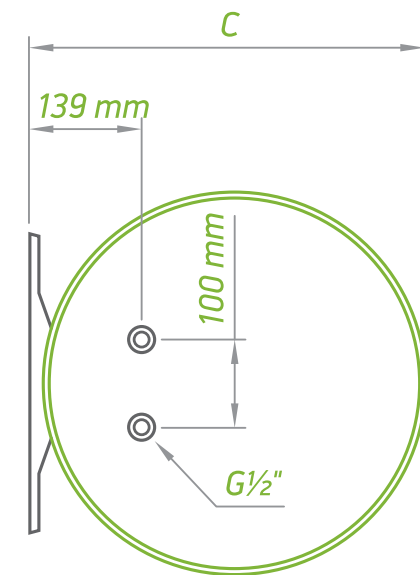
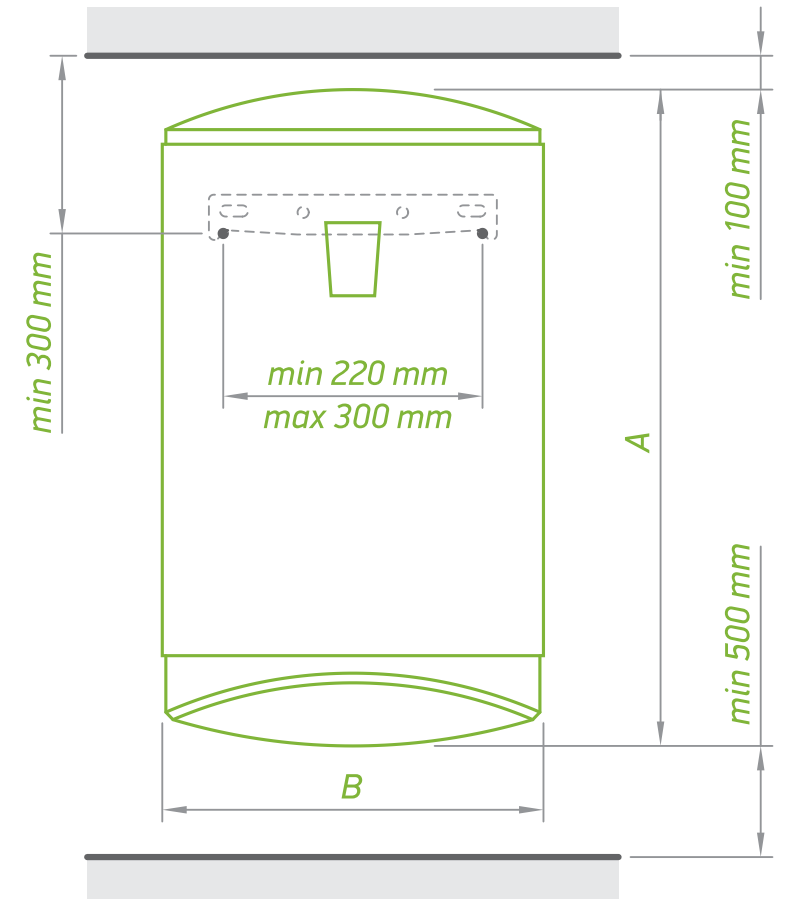
*T out of box – the optimal working temperature for the certain electric water heater model, set by the producer

**V 40 – the quantity of hot water, which the electric water heater can produce, while working at T out of box

***T max – the maximal working temperature of the electric water heater

****Max 40 – the maximal quantity of hot water, which the electric water heater can produce, while working at maximum temperature

- BILIGHT FUNCTION
- CAPILLARY THERMOSTAT
- INSUTECH TECHNOLOGY
- NO THERMAL BRIDGE
- PISTON EFFECT
- STAINLESS STEEL PIPE
- CERAMIC HEATING ELEMENT
- HYGIENIC CERTIFICATE
- CRYSTALTECH
- PLASMA WELDING



PRODUCT DIMENSIONS		MODECO CERAMIC 50	MODECO CERAMIC 80	MODECO CERAMIC 100	MODECO CERAMIC 120	MODECO CERAMIC 150
CODE		GCV 504716D C21 TS2R	GCV 804724D C21 TS2R	GCV 1004724D C21 TS2R	GCV 1204724D C21 TS2R	GCV 1504724D C21 TS2R
height (A)	mm	595	845	985	1150	1315
width (B)	mm	470	470	470	470	470
depth (C)	mm	496	496	496	0496	496

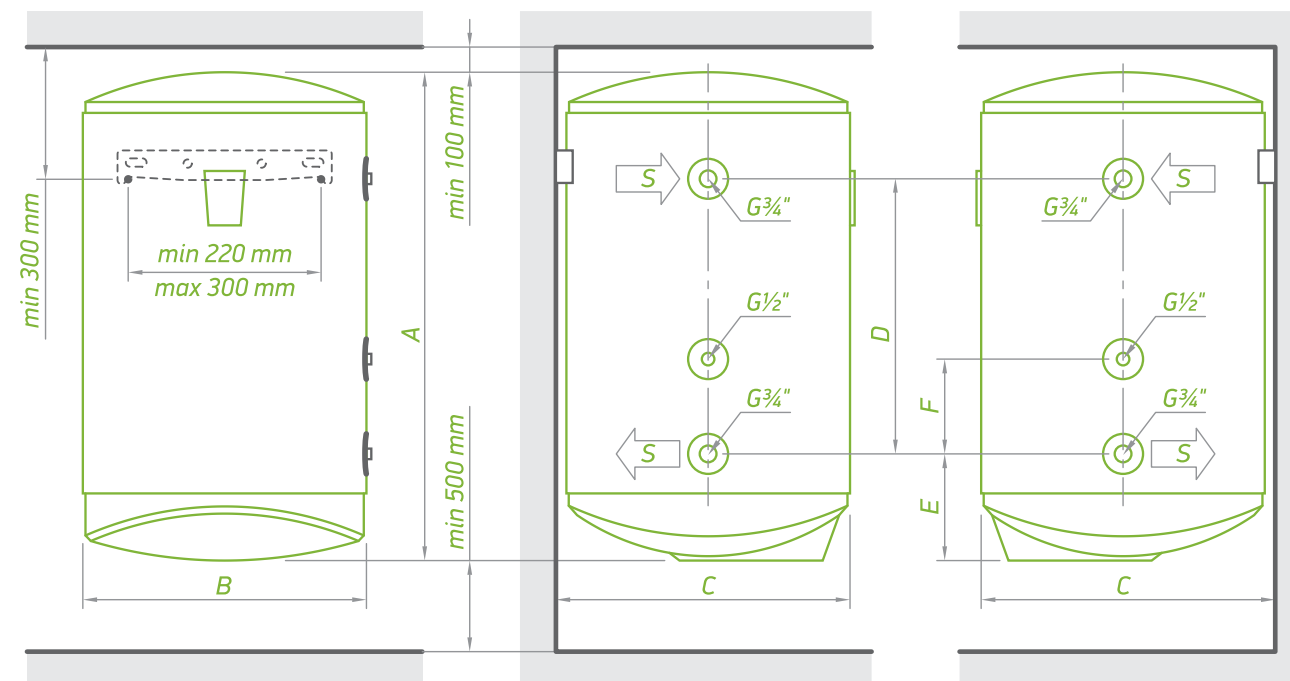


ModEco Ceramic
with Heat Exchanger

- **CERAMIC HEATING ELEMENT:**
 - Limescale protection
 - Noiseless operation
 - Easy maintenance without draining
 - Two power settings
- Option for connection to **ALTERNATIVE/ RENEWABLE** sources of energy
- In-built highly efficient heat exchanger with integrated **TURBULATOR**
- Specific design of the heat exchanger, which enhances **FULL WATER VOLUME HEATING**
- **POCKET** for a temperature sensor
- Range 80 L - 150 L

MODEL	MODECO CERAMIC 80 S	MODECO CERAMIC 100 S	MODECO CERAMIC 120 S	MODECO CERAMIC 150 S
CODE	GCV6S 804724DC21 TS2RCP	GCV9S 1004724DC21 TS2RCP	GCV9S(L) 1204724DC21 TS2RCP	GCV11S(L)O 1504724D C21 TS2RCP
Real Volume	L 79	96	116	138
Diameter	mm 470	470	470	470
Rated power	W 2400	2400	2400	2400
Heating time -Δ t 45 K (15 - 60° C)**80° C	0 h 18 min	0 h 18 min	0 h 22 min	0 h 21 min
Energy class	B	B	C	C
Heat exchanger surface	m ² 0,45	0,7	0,7	0,8
Heat exchanger capacity	L 2,1	3,2	3,2	3,9
Exchange power in continuous mode (max. coil output) *60-80° C	kW 13,8	18,5	18,5	20,9
Continuous flow rate of DHW at Δ t 35° C *60 - 80° C	L/h 329	433	433	514
Thermo pocket	x 1	x 1	x 1	x 1
Insulation	mm 32	32	32	32

*incoming-outgoing thermo transfer fluid in the heat exchanger
**incoming thermal transfer fluid in the heat exchanger



- TURBULATOR
- CERAMIC HEATING ELEMENT
- BILIGHT FUNCTION
- CAPILLARY THERMOSTAT
- INSUTECH TECHNOLOGY
- NO THERMAL BRIDGE
- PISTON EFFECT
- STAINLESS STEEL PIPE
- CRYSTALTECH
- PLASMA WELDING
- HYGIENIC CERTIFICATE

PRODUCT DIMENSIONS	MODECO CERAMIC 80 S	MODECO CERAMIC 100 S	MODECO CERAMIC 120 S	MODECO CERAMIC 150 S
CODE	GCV6S 804724DC21 TS2RCP	GCV9S 1004724DC21 TS2RCP	GCV9S(L) 1204724DC21 TS2RCP	GCV11S(L)O 1504724D C21 TS2RCP
height (A)	mm 845	985	1150	1315
width (B)	mm 470	470	470	470
depth (C)	mm 496	496	496	496
D	mm 295	445	445	445
E	mm 243	243	243	243
F	mm 120	120	120	120



ModEco

- **COPPER HEATING ELEMENT**
- **BILIGHT INDICATION:**
 - Red light for Heating mode
 - Blue light for Ready-to-use mode
- ON/OFF switch
- Precise EXTERNAL REGULATOR for setting the desired temperature
- **CAPILLARY THERMOSTAT**
- Range 50 L - 100 L

MODEL		MODECO 50	MODECO 80	MODECO 100
CODE		GCV 504720 C21 TSRC	GCV 804720 C21 TSRC	GCV 1004720 C21 TSRC
Real Volume	L	50	82	100
Diameter	mm	470	470	470
Rated power	W	2000	2000	2000
Heating time -Δ t 45 K (15 - 60° C)		1 h 18 min	2 h 08 min	2 h 36 min
Annual consumption of electricity AEC	kWh	1360	1335	2726
Energy class		C	C	C
Load profile		M	M	L
*T out of box	°C	60	60	70
**V 40	L	71	120	162
***T max	°C	70	70	70
****Max 40	L	86	145	162
Insulation	mm	32	32	32

THE PRESENTED DATA ARE VALID FOR VERTICAL INSTALLATION

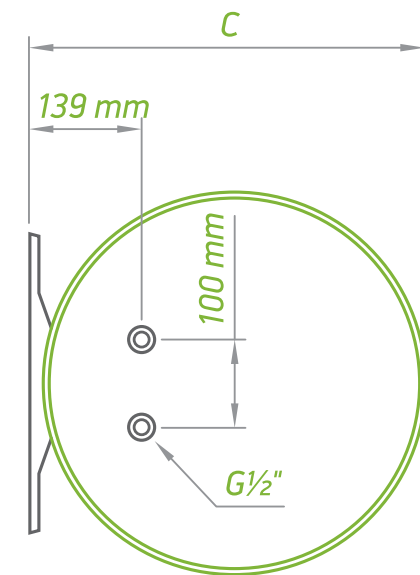
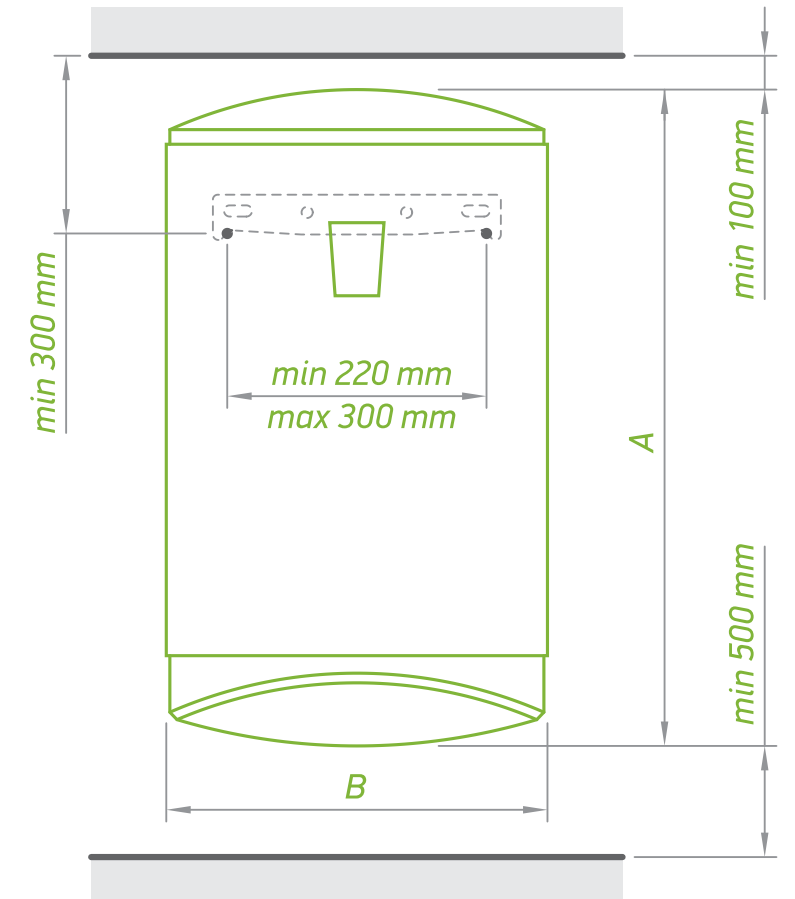
*T out of box – the optimal working temperature for the certain electric water heater model, set by the producer

**V 40 – the quantity of hot water, which the electric water heater can produce, while working at T out of box

***T max – the maximal working temperature of the electric water heater

****Max 40 – the maximal quantity of hot water, which the electric water heater can produce, while working at maximum temperature

- BILIGHT FUNCTION
- INSUTECH TECHNOLOGY
- PISTON EFFECT
- CRYSTALTECH
- COPPER HEATING ELEMENT
- CAPILLARY THERMOSTAT
- NO THERMAL BRIDGE
- STAINLESS STEEL PIPE
- PLASMA WELDING
- HYGIENIC CERTIFICATE



PRODUCT DIMENSIONS		MODECO 50	MODECO 80	MODECO 100
CODE		GCV 504720 C21 TSRC	GCV 804720 C21 TSRC	GCV 1004720 C21 TSRC
height (A)	mm	595	845	985
width (B)	mm	470	470	470
depth (C)	mm	496	496	496

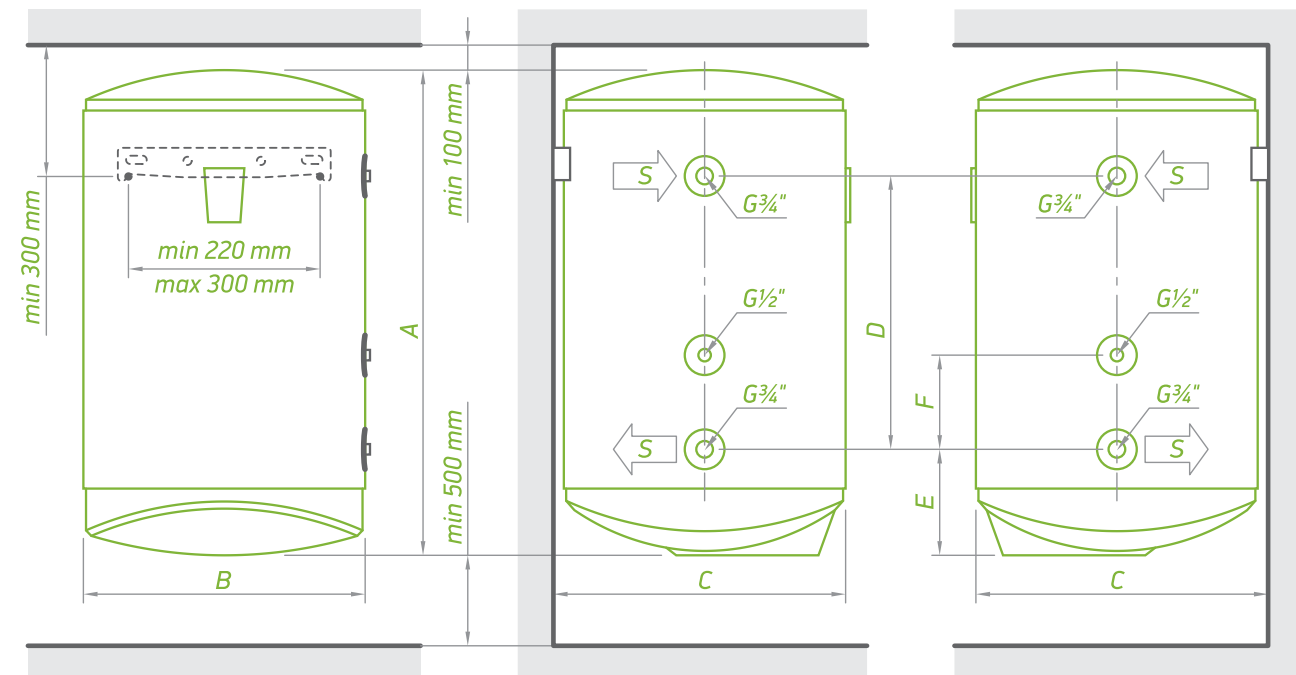


ModEco
with Heat Exchanger

- Option for connection to **ALTERNATIVE/ RENEWABLE** sources of energy
- In-built highly efficient heat exchanger with integrated **TURBULATOR**
- Specific design of the heat exchanger, which enhances **FULL WATER VOLUME HEATING**
- **POCKET** for a temperature sensor
- **COPPER HEATING ELEMENT**
- **BILIGHT INDICATION:**
 - Red light for Heating mode
 - Blue light for Ready-to-use mode
- Range 80 L - 150 L

MODEL	MODECO 80 S	MODECO 100 S	MODECO 120 S	MODECO 150 S
CODE	GCV6S 804720 C21 TSRCP	GCV9S 1004720 C21 TSRCP	GCV9S(L) 1204720 C21 TSRCP	GCV9S(L) 1504720 C21 TSRTCP
Real Volume	L 79	96	116	139
Diameter	mm 470	470	470	470
Rated power	W 2000	2000	2000	2000
Heating time -Δ t 45 K (15 - 60° C)**80° C	0 h 18 min	0 h 18 min	0 h 22 min	0 h 26 min
Energy class	B	B	C	C
Heat exchanger surface	m ² 0,45	0,7	0,7	0,7
Heat exchanger capacity	L 2,1	3,2	3,2	3,2
Exchange power in continuous mode (max. coil output) *60-80° C	kW 13,8	18,5	18,5	18,5
Continuous flow rate of DHW at Δ t 35° C *60 - 80° C	L/h 329	433	433	433
Thermo pocket	x 1	x 1	x 1	x 1
Insulation	mm 32	32	32	32

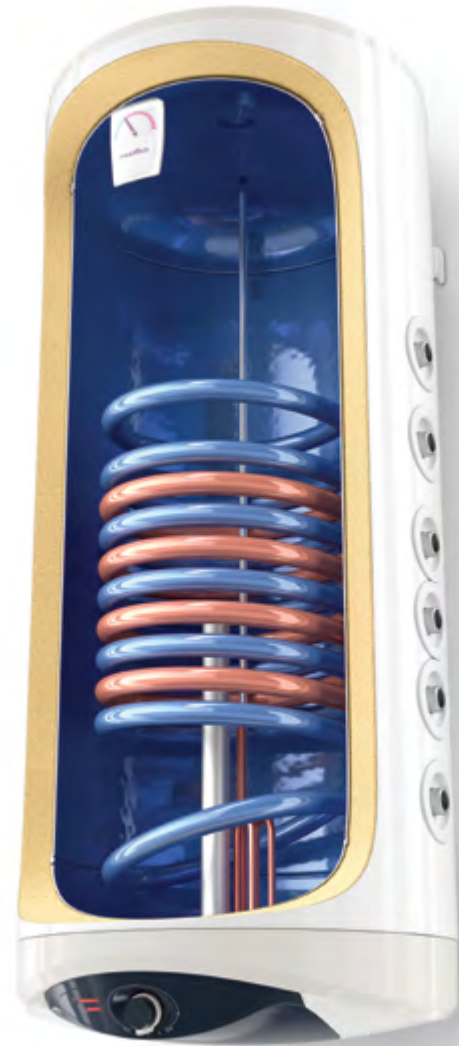
*incoming-outgoing thermo transfer fluid in the heat exchanger
**incoming thermal transfer fluid in the heat exchanger



- TURBULATOR
- BILIGHT FUNCTION
- INSUTECH TECHNOLOGY
- NO THERMAL BRIDGE
- PISTON EFFECT
- STAINLESS STEEL PIPE
- COPPER HEATING ELEMENT
- CAPILLARY THERMOSTAT
- CRYSTALTECH
- PLASMA WELDING
- HYGIENIC CERTIFICATE

PRODUCT DIMENSIONS	MODECO 80 S	MODECO 100 S	MODECO 120 S	MODECO 150 S
CODE	GCV6S 804720 C21 TSRCP	GCV9S 1004720 C21 TSRCP	GCV9S(L) 1204720 C21 TSRCP	GCV9S(L) 1504720 C21 TSRTCP
height (A)	mm 845	985	1150	1315
width (B)	mm 470	470	470	470
depth (C)	mm 496	496	496	496
D	mm 295	445	445	445
E	mm 243	243	243	243
F	mm 120	120	120	120

ModEco with Double-integrated Heat Exchanger



ModEco with double-integrated heat exchanger

- Option for connection to two **ALTERNATIVE/RENEWABLE** sources of energy
- In-built double-integrated serpentine with **TURBULATOR**
- Specific design of the heat exchanger, which enhances **FULL WATER VOLUME HEATING**
- **2 POCKETS** for temperature sensors
- **COPPER HEATING ELEMENT**
- Range 120 L - 150 L

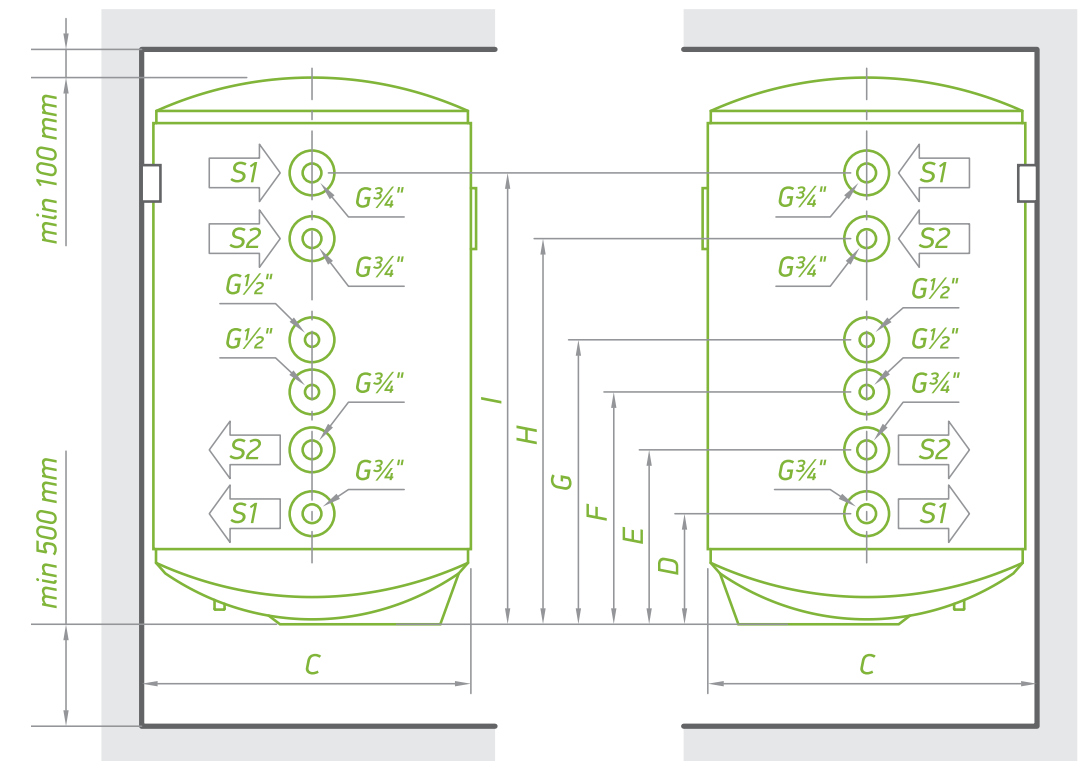
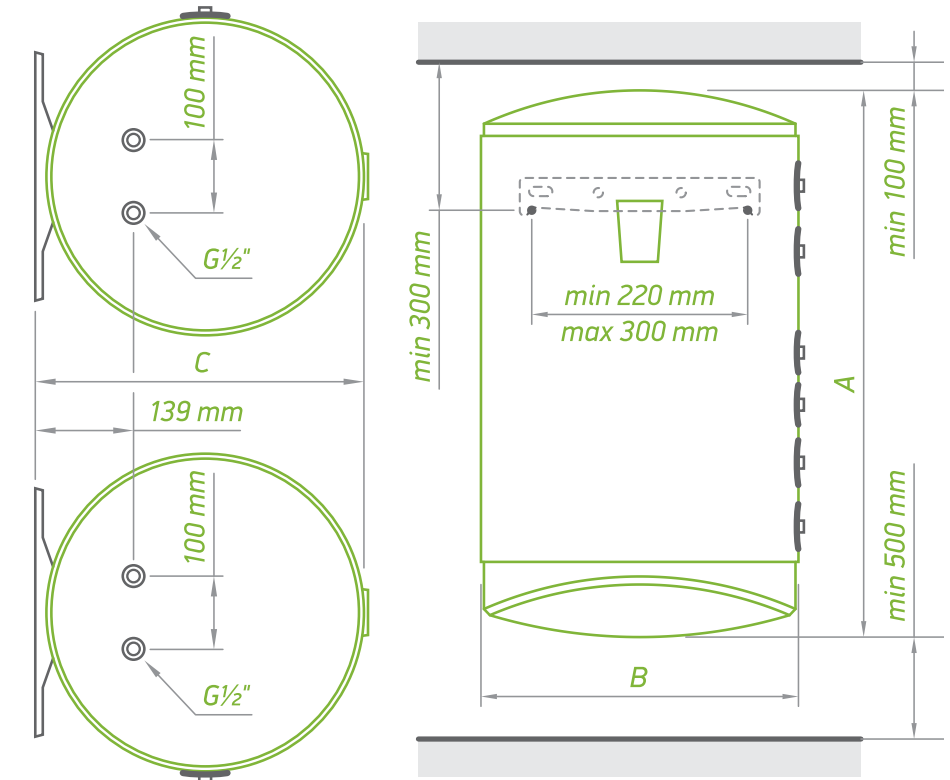
MODEL	MODECO 120 S2	MODECO 150 S2
CODE	GCV7/4S 1204720 C21 TSRCP2	GCV7/4S 1504720 C21 TSRCP2
Real Volume	L 115	137
Diameter	mm 470	470
Rated power	W 2000	2000
Heating time -Δ t 45 K (15 - 60° C)**80° C	0 h 38 min 0 h 54 min	0 h 42 min 0 h 54 min
Energy class	C	C
Heat exchanger surface	m² 0,5 / 0,3	0,5 / 0,3
Heat exchanger capacity	L 2,4 / 1,4	2,4 / 1,4
Exchange power in continuous mode (max. coil output) *60-80° C	kW 13,4 / 8,1	13,4 / 8,1
Continuous flow rate of DHW at Δ t 35° C *60 - 80° C	L/h 330 / 201	330 / 201
Thermo pocket	x 2	x 2
Insulation	mm 32	32

PRODUCT DIMENSIONS	MODECO 120 S2	MODECO 150 S2
CODE	GCV7/4S 1204720 C21 TSRCP2	GCV7/4S 1504720 C21 TSRCP2
height (A)	mm 1150	1315
width (B)	mm 470	470
depth (C)	mm 496	496
D	mm 243	243
E	mm 341	341
F	mm 431	431
G	mm 521	521
H	mm 645	645
I	mm 743	743

*incoming-outgoing thermo transfer fluid in the heat exchanger
**incoming thermal transfer fluid in the heat exchanger

ModEco with Double-integrated Heat Exchanger

- TURBULATOR
- BILIGHT FUNCTION
- INSUTECH TECHNOLOGY
- NO THERMAL BRIDGE
- PISTON EFFECT
- STAINLESS STEEL PIPE
- COPPER HEATING ELEMENT
- CAPILLARY THERMOSTAT
- CRYSTALTECH
- PLASMA WELDING
- HYGIENIC CERTIFICATE





BiLight

Elegance meets functionality

- A wide range of elegant electric water heaters providing hot water to several points of use at a time. Abundant selection of vertical and horizontal models that easily fit in narrow and limited spaces. Various models with one or two integrated heat exchangers for connection to alternative energy sources.
- A distinctive feature of all **BiLight** electric water heaters is the two-colour indication, which visualises the two operating modes: red light for Heating Mode and blue light for Ready-to-use Mode.



BiLight

- **COPPER HEATING ELEMENT**
- **BILIGHT INDICATION:**
 - Red light for Heating mode
 - Blue light for Ready-to-use mode
- **ON/OFF** switch
- **ANTI-FREEZE** function
- **ECO SETTING** of the thermoregulator for cost efficient and long-lasting operation
- Range 50 L - 150 L

MODEL		BILIGHT 50	BILIGHT 80	BILIGHT 100	BILIGHT 120	BILIGHT 150
CODE		GCV 504415 B11 TSR	GCV 804420 B11 TSR	GCV 1004420 B11 TSR	GCV 1204420 B11 TSR	GCV 1504420 B11 TSR
Real Volume	L	50	82	100	120	143
Diameter	mm	440	440	440	440	440
Rated power	W	1500	2000	2000	2000	2000
Heating time -Δ t 45 K (15 - 60° C)		1 h 44 min	2 h 08 min	2 h 36 min	3 h 08 min	3 h 44 min
Annual consumption of electricity AEC	kWh	1421	2762	2734	4406	4404
Energy class		C	C	C	C	C
Load profile		M	L	L	XL	XL
*T out of box	°C	60	70	60	70	65
**V 40	L	77	145	150	218	233
***T max	°C	70	70	70	70	70
****Max 40	L	86	145	176	218	257
Insulation	mm	18	18	18	18	18

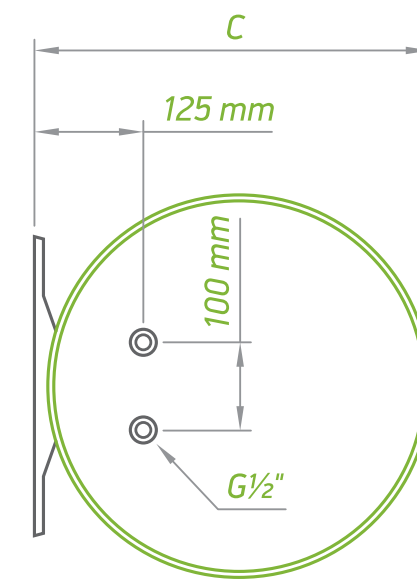
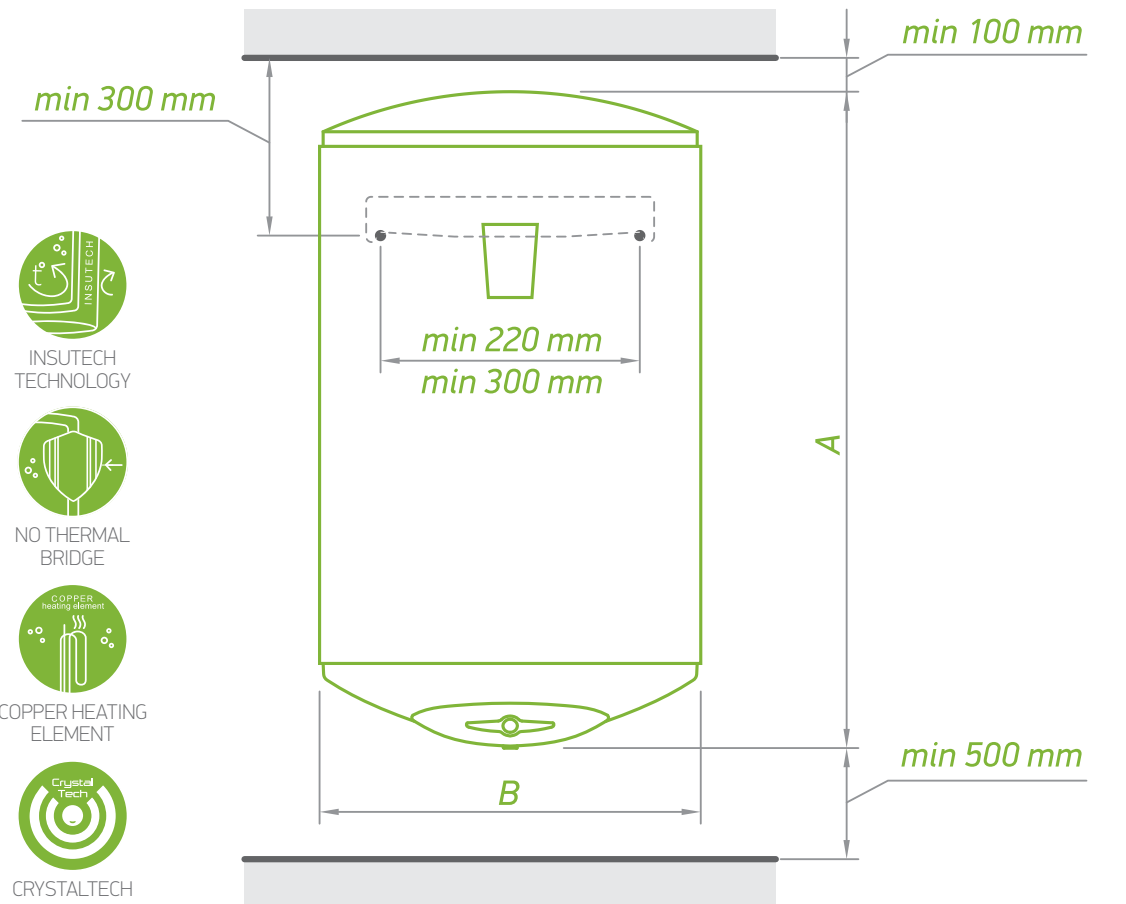
*T out of box – the optimal working temperature for the certain electric water heater model, set by the producer

**V 40 – the quantity of hot water, which the electric water heater can produce, while working at T out of box

***T max – the maximal working temperature of the electric water heater

****Max 40 – the maximal quantity of hot water, which the electric water heater can produce, while working at maximum temperature

- BILIGHT FUNCTION
- INSUTECH TECHNOLOGY
- PISTON EFFECT
- NO THERMAL BRIDGE
- STAINLESS STEEL PIPE
- COPPER HEATING ELEMENT
- HYGIENIC CERTIFICATE
- CRYSTALTECH
- PLASMA WELDING
- ADJUSTABLE THERMOREGULATOR



PRODUCT DIMENSIONS		BILIGHT 50	BILIGHT 80	BILIGHT 100	BILIGHT 120	BILIGHT 150
CODE		GCV 504415 B11 TSR	GCV 804420 B11 TSR	GCV 1004420 B11 TSR	GCV 1204420 B11 TSR	GCV 1504420 B11 TSR
height (A)	mm	595	845	985	1150	1315
width (B)	mm	440	440	440	440	440
depth (C)	mm	467	467	467	467	467



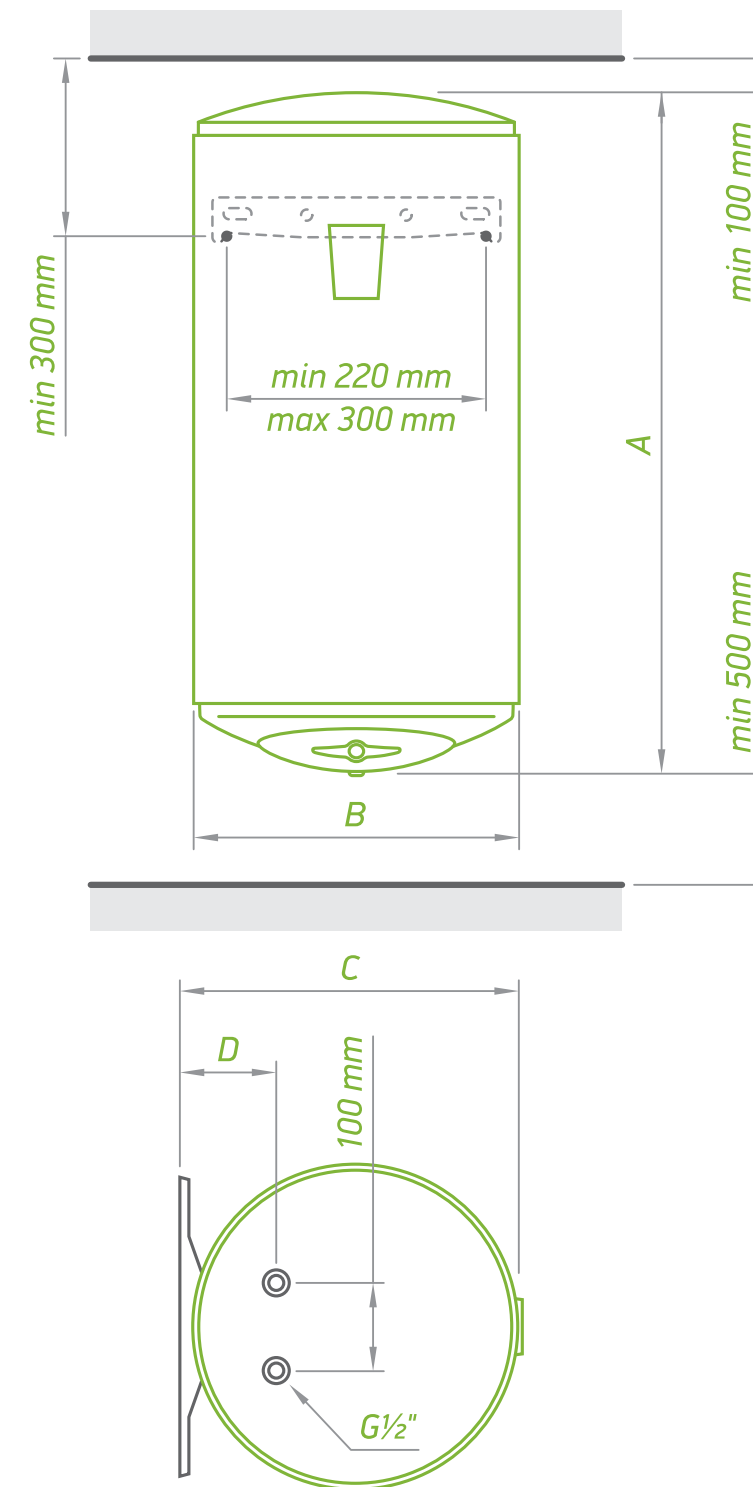
BiLight Slim

- **SLIM** diameter of only 38 cm (35 cm for 30 l models)
- **THICK INSULATION** of 34 mm (18 mm for 30 l models)
- **COPPER HEATING ELEMENT**
- **BILIGHT INDICATION:**
 - Red light for Heating mode
 - Blue light for Ready-to-use mode
- **ON/OFF** switch
- **ANTI-FREEZE** function
- **ECO SETTING** of the thermoregulator for cost efficient and long-lasting operation
- Range 30 L - 80 L

MODEL	BILIGHT SLIM 30		BILIGHT SLIM 50		BILIGHT SLIM 80	
CODE	GCV 303512 B11 TSRC		GCV 503820 B11 TSR		GCV 803820 B11 TSRC	
Real Volume	L	30	50	80		
Diameter	mm	353	386	386		
Rated power	W	1200	2000	2000		
Heating time -Δ t 45 K (15 - 60° C)		1 h 18 min	1 h 18 min	2 h 05 min		
Annual consumption of electricity AEC	kWh	571	1402	1410		
Energy class		C	C	C		
Load profile		S	M	M		
*T out of box	°C	60	60	60		
**V 40	L	44	70	117		
***T max	°C	70	70	70		
****Max 40	L	49	87	153		
Insulation	mm	18	34	34		

*T out of box – the optimal working temperature for the certain electric water heater model, set by the producer
 **V 40 – the quantity of hot water, which the electric water heater can produce, while working at T out of box
 ***T max – the maximal working temperature of the electric water heater
 ****Max 40 – the maximal quantity of hot water, which the electric water heater can produce, while working at maximum temperature

- BILIGHT FUNCTION
- SLIM DESIGN
- INSUTECH TECHNOLOGY
- NO THERMAL BRIDGE
- PISTON EFFECT
- STAINLESS STEEL PIPE
- COPPER HEATING ELEMENT
- HYGIENIC CERTIFICATE
- CRYSTALTECH
- PLASMA WELDING
- ADJUSTABLE THERMOREGULATOR



PRODUCT DIMENSIONS	BILIGHT SLIM 30		BILIGHT SLIM 50		BILIGHT SLIM 80	
CODE	GCV 303512 B11 TSRC		GCV 503820 B11 TSR		GCV 803820 B11 TSRC	
height (A)	mm	557	803	1205		
width (B)	mm	353	386	386		
depth (C)	mm	380	412	412		
D	mm	82	98	98		

BiLight with Heat Exchanger



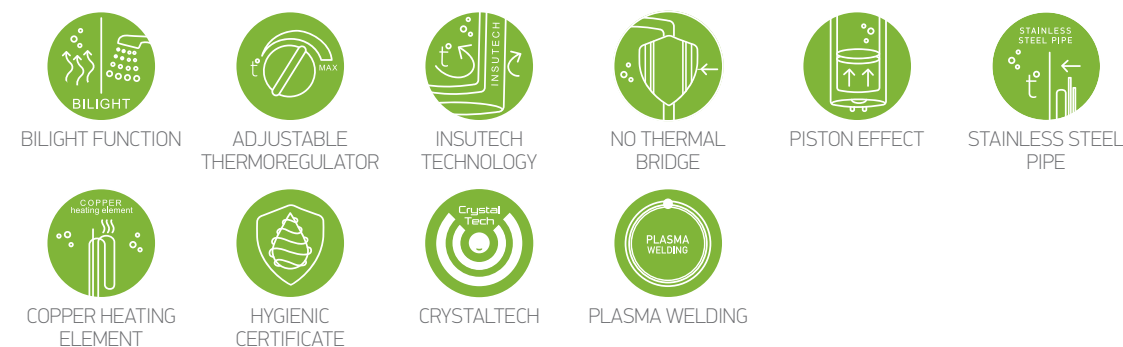
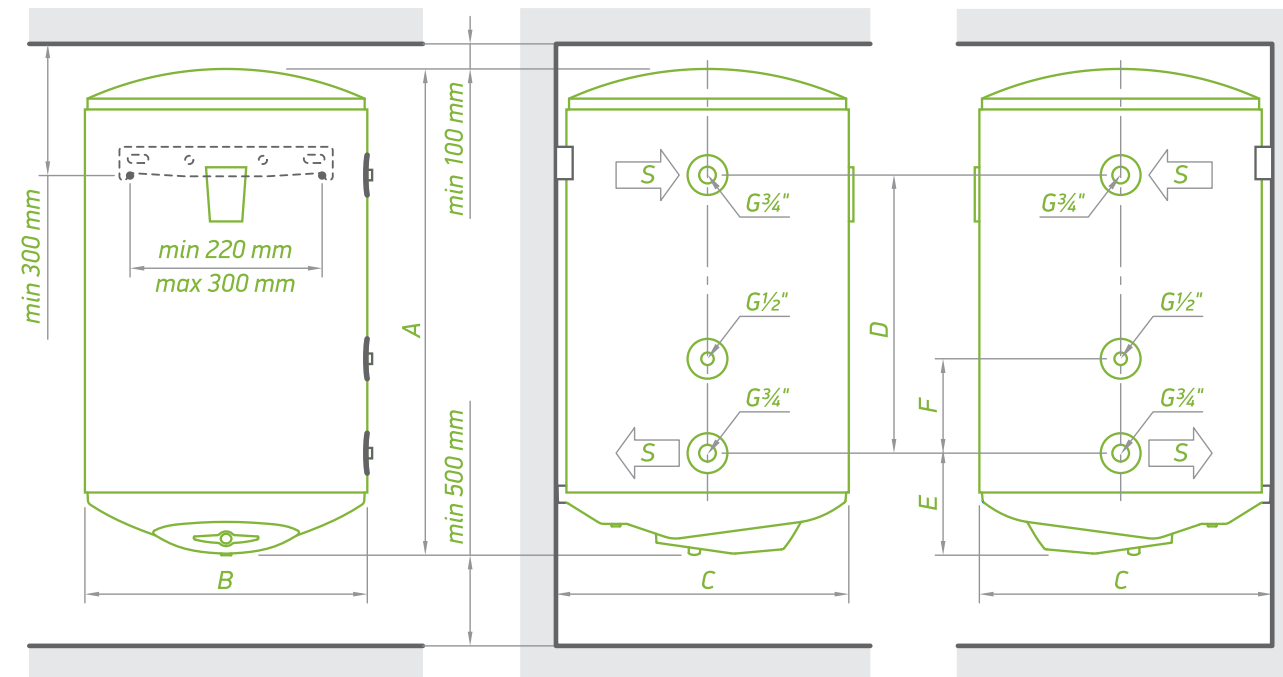
BiLight with heat exchanger

- Option for connection to **ALTERNATIVE/RENEWABLE** sources of energy
- **COPPER HEATING ELEMENT**
- **BILIGHT INDICATION:**
 - Red light for Heating mode
 - Blue light for Ready-to-use mode
- **POCKET** for temperature sensor (for the models 120 L and 150 L)
- **ON/OFF** switch
- **ANTI-FREEZE** function
- Range 80 L - 150 L

MODEL		BILIGHT 80 SE	BILIGHT 100 SE	BILIGHT 120 SE	BILIGHT 150 SE
CODE		GCVS(L) 804420 B11 TSR	GCVS(L) 1004420 B11 TSR	GCVS(L) 1204420 B11 TSRCP	GCVS(L) 1504420 B11 TSRCP
Real Volume	L	81	98	118	141
Diameter	mm	440	440	440	440
Rated power	W	2000	2000	2000	2000
Heating time - Δt 45 K (15 - 60°C)*80°C		0 h 54 min	0 h 45 min	0 h 55 min	1 h 12 min
Energy class		C	C	C	C
Heat exchanger surface	m ²	0,21	0,28	0,28	0,28
Heat exchanger capacity	L	0,9	1,2	1,2	1,2
Exchange power in continuous mode (max. coil output) *60-80°C	kW	2,9	6	6	6
Continuous flow rate of DHW at Δt 35°C *60 - 80°C	L/h	71	142	142	142
Thermo pocket		-	-	x 1	x 1
Standing losses S	W	58	64	81	92
Insulation	mm	18	18	18	18

*incoming-outgoing thermal transfer fluid in the heat exchanger
**incoming thermal transfer fluid in the heat exchanger

BiLight with Heat Exchanger



PRODUCT DIMENSIONS		BILIGHT 80 SE	BILIGHT 100 SE	BILIGHT 120 SE	BILIGHT 150 SE
CODE		GCVS(L) 804420 B11 TSR	GCVS(L) 1004420 B11 TSR	GCVS(L) 1204420 B11 TSRCP	GCVS(L) 1504420 B11 TSRCP
height (A)	mm	845	985	1150	1315
width (B)	mm	440	440	440	440
depth (C)	mm	467	467	467	467
D	mm	360	480	480	480
E	mm	243	243	243	243
F	mm	120	120	120	120

BiLight with Highly-efficient Heat Exchanger



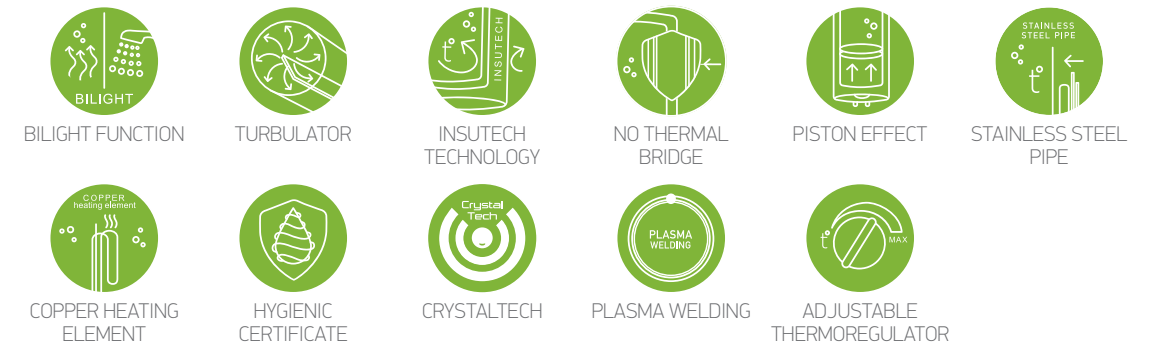
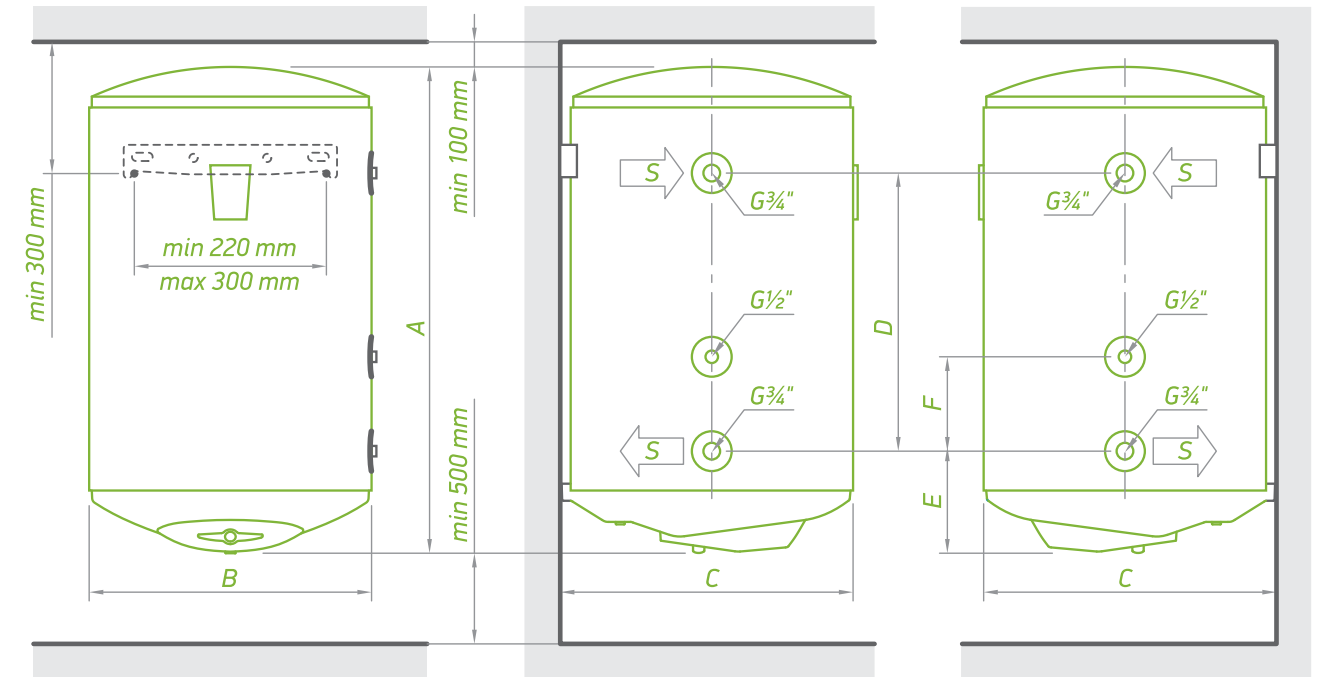
BiLight with highly-efficient heat exchanger

- Option for connection to **ALTERNATIVE/RENEWABLE** sources of energy
- In-built highly efficient heat exchanger with integrated **TURBULATOR**
- Specific design of the heat exchanger, which enhances **FULL WATER VOLUME HEATING**
- **POCKET** for a temperature sensor (for 100 L, 120 L and 150 L models)
- **COPPER HEATING ELEMENT**
- **BILIGHT INDICATION:**
 - Red light for Heating mode
 - Blue light for Ready-to-use mode
- **ON/OFF** switch
- **ANTI-FREEZE** function
- Range 80 L - 150 L

MODEL		BILIGHT 80 S	BILIGHT 100 S	BILIGHT 120 S	BILIGHT 150 S
CODE		GCV6S(L) 804420 B11 TSRC	GCV9S(L) 1004420 B11 TSRC	GCV9S(L) 1204420 B11 TSRC	GCV9S(L) 1504420 B11 TSRC
Real Volume	L	79	96	116	139
Diameter	mm	440	440	440	440
Rated power	W	2000	2000	2000	2000
Heating time - Δt 45 K (15 - 60° C)*80° C		0 h 18 min	0 h 18 min	0 h 22 min	0 h 26 min
Energy class		C	C	C	C
Heat exchanger surface	m ²	0,45	0,7	0,7	0,7
Heat exchanger capacity	L	2,1	3,2	3,2	3,2
Exchange power in continuous mode (max. coil output) *60-80° C	kW	13,8	18,5	18,5	18,5
Continuous flow rate of DHW at Δt 35° C *60 - 80° C	L/h	329	433	433	433
Thermo pocket		-	x 1	x 1	x 1
Standing losses S	W	61	67	81	93
Insulation	mm	18	18	18	18

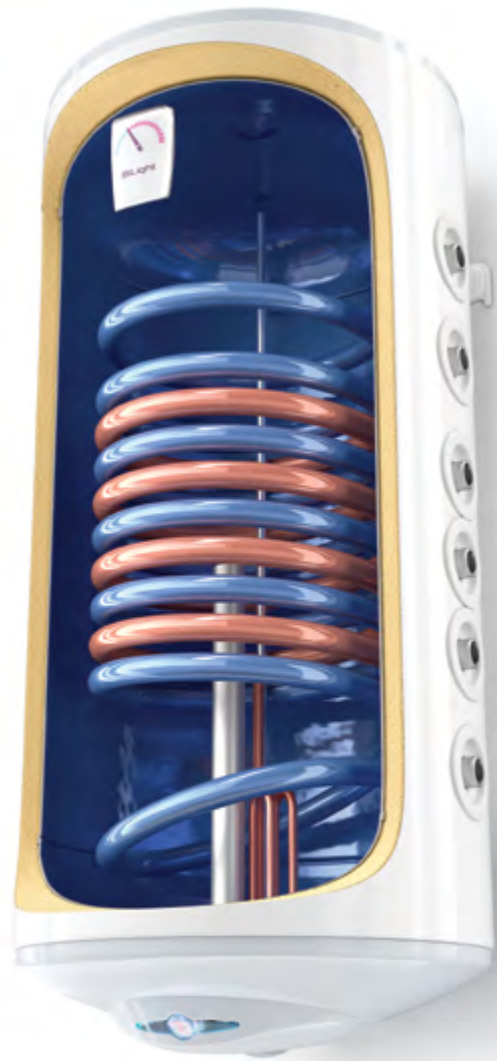
*incoming-outgoing thermal transfer fluid in the heat exchanger
**incoming thermal transfer fluid in the heat exchanger

BiLight with Highly-efficient Heat Exchanger



PRODUCT DIMENSIONS		BILIGHT 80 S	BILIGHT 100 S	BILIGHT 120 S	BILIGHT 150 S
CODE		GCV6S(L) 804420 B11 TSRC	GCV9S(L) 1004420 B11 TSRC	GCV9S(L) 1204420 B11 TSRC	GCV9S(L) 1504420 B11 TSRC
height (A)	mm	845	985	1150	1315
width (B)	mm	440	440	440	440
depth (C)	mm	467	467	467	467
D	mm	295	445	445	445
E	mm	243	243	243	243
F	mm	120	120	120	120

BiLight with Double-integrated Heat Exchanger



BiLight with double-integrated heat exchanger

- Option for connection to two **ALTERNATIVE/RENEWABLE** sources of energy
- In-built highly efficient heat exchanger with integrated **TURBULATOR**
- Specific design of the heat exchanger, which enhances **FULL WATER VOLUME HEATING**
- **2 POCKETS** for temperature sensors
- **COPPER HEATING ELEMENT**
- **BILIGHT INDICATION:**
 - Red light for Heating mode
 - Blue light for Ready-to-use mode
- **ON/OFF** switch
- **ANTI-FREEZE** function
- Range 120 L - 150 L

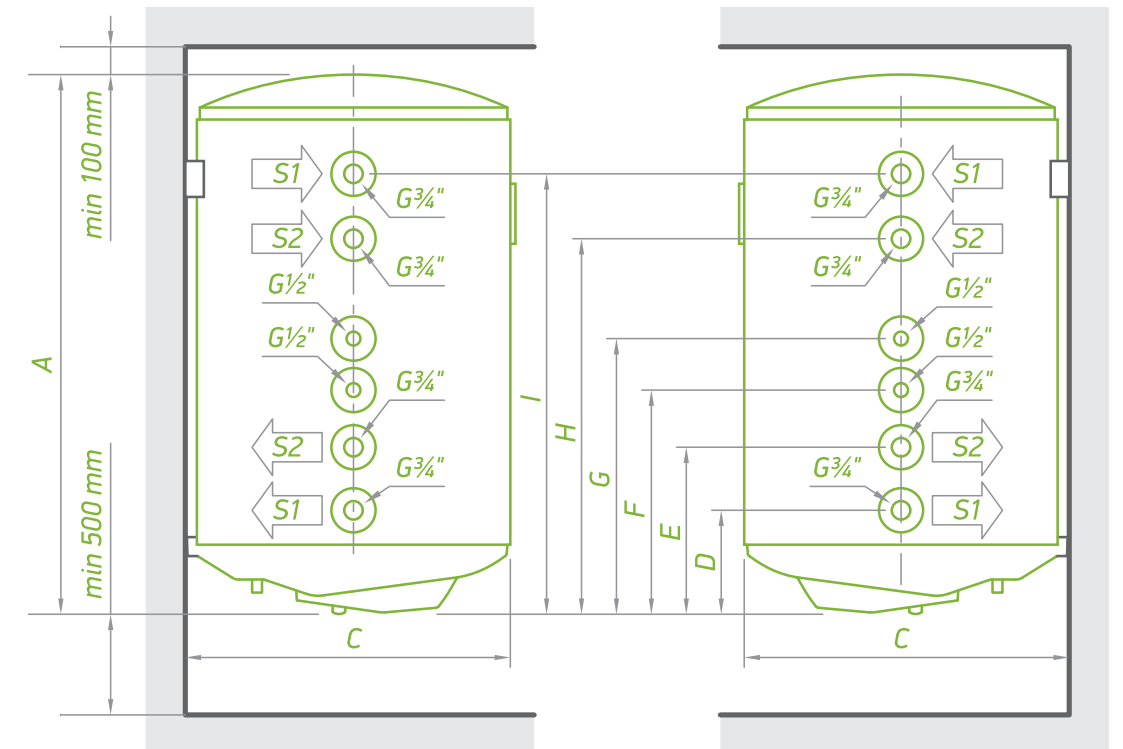
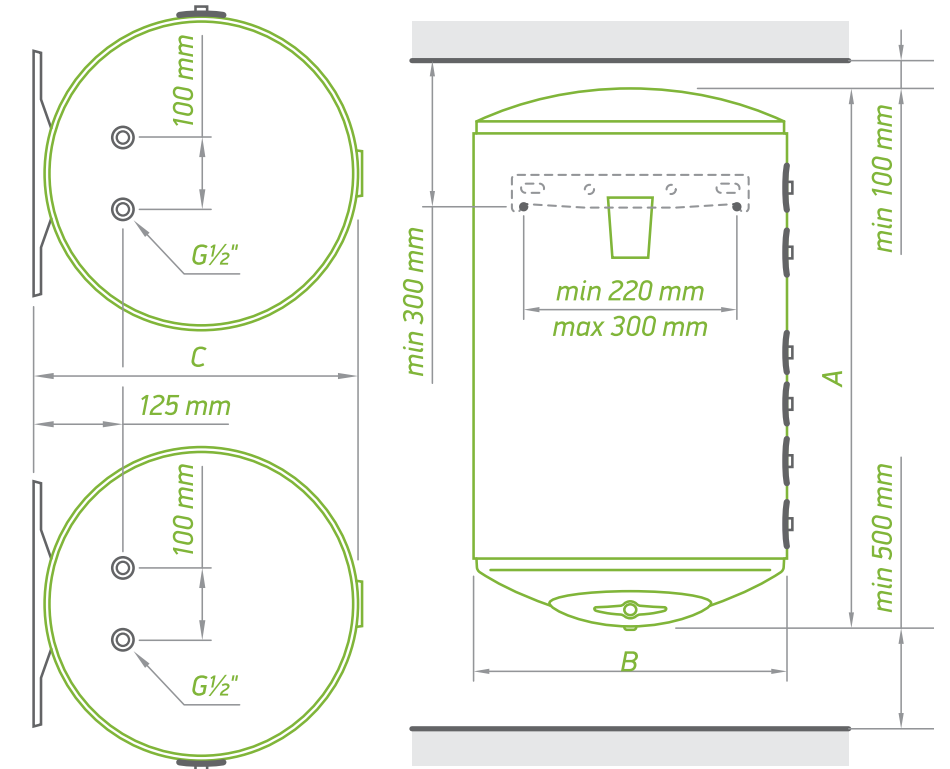
MODEL	BILIGHT 120 S2	BILIGHT 150 S2
CODE	GCV7/4S 1204420 B11 TSRCP2	GCV7/4S 1504430 B11 TSRCP2
Real Volume	L 115	L 138
Diameter	mm 440	mm 440
Rated power	W 2000	W 3000
Heating time -Δ t 45 K (15 - 60° C)**80° C	0 h 38min 0 h 54min	0 h 42 min 0 h 54 min
Energy class	C	C
Heat exchanger surface	m ² 0.5 / 0.3	m ² 0.5 / 0.3
Heat exchanger capacity	L 2.4 / 1.4	L 2.4 / 1.4
Exchange power in continuous mode (max. coil output) *60-80° C	kW 13.4 / 8.1	kW 13.4 / 8.1
Continuous flow rate of DHW at Δ t 35° C *60 - 80° C	L/h 330 / 201	L/h 330 / 201
Thermo pocket	x2	x2
Standing losses S	W 81	W 93
Insulation	mm 18	mm 18

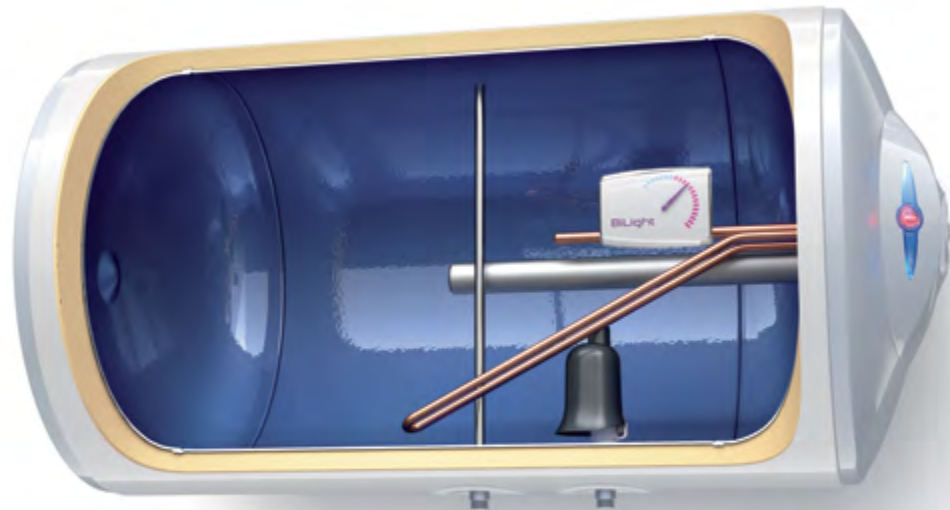
PRODUCT DIMENSIONS	BILIGHT 120 S2	BILIGHT 150 S2
CODE	GCV7/4S 1204420 B11 TSRCP2	GCV7/4S 1504430 B11 TSRCP2
height (A)	mm 1150	mm 1315
width (B)	mm 440	mm 440
depth (C)	mm 467	mm 467
D	mm 243	mm 243
E	mm 341	mm 341
F	mm 431	mm 431
G	mm 525	mm 525
H	mm 645	mm 645
I	mm 743	mm 743

*incoming-outgoing thermal transfer fluid in the heat exchanger
**incoming thermal transfer fluid in the heat exchanger

BiLight with Double-integrated Heat Exchanger

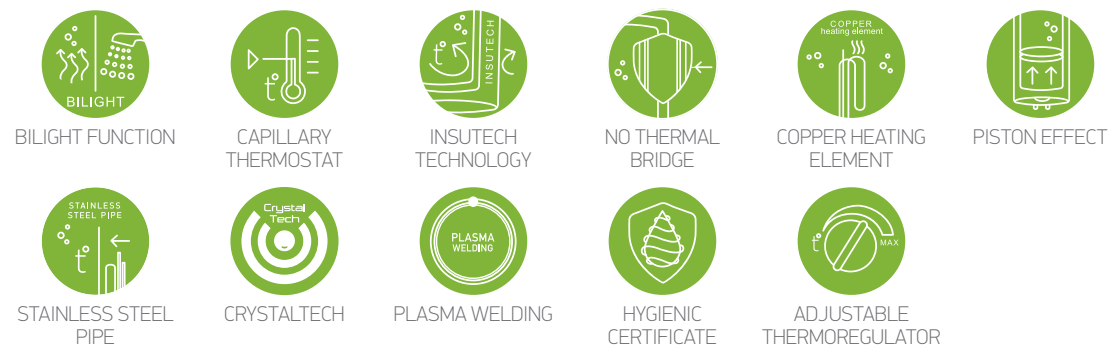
- BILIGHT FUNCTION
- TURBULATOR
- INSUTECH TECHNOLOGY
- NO THERMAL BRIDGE
- PISTON EFFECT
- STAINLESS STEEL PIPE
- COPPER HEATING ELEMENT
- HYGIENIC CERTIFICATE
- CRYSTALTECH
- PLASMA WELDING
- ADJUSTABLE THERMOREGULATOR



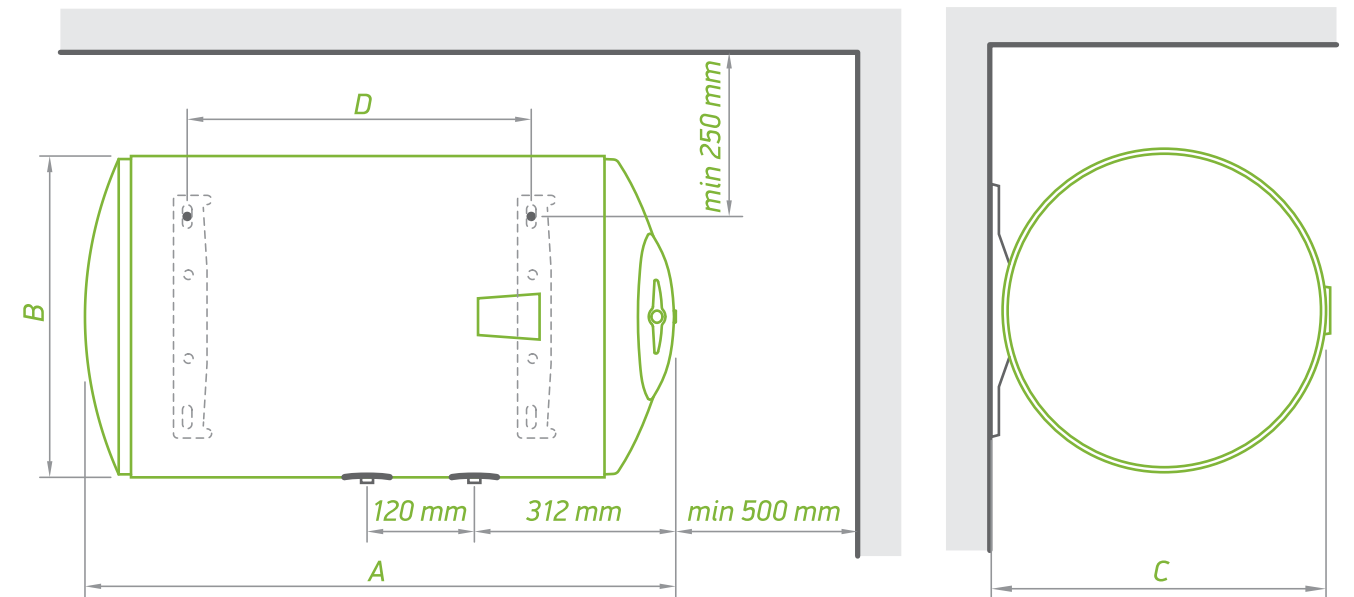


BiLight Horizontal

- **NEW PISTON NOZZLE:** Revolutionary solution for more hot water*
- **COPPER HEATING ELEMENT**
- **BILIGHT INDICATION:**
 - Red light for Heating mode
 - Blue light for Ready-to-use mode
- **ON/OFF** switch
- **ANTI-FREEZE** function
- **ECO SETTING** of the thermoregulator for cost efficient and long-lasting operation
- Range 30 L - 150 L



*Up to 40% more hot water, depending on the specific model, compared to TESI BiLight horizontal models with previous PISTON nozzles. With the NEW Piston nozzle a horizontal TESI water heater delivers a comparable quantity of hot water as a vertical one.

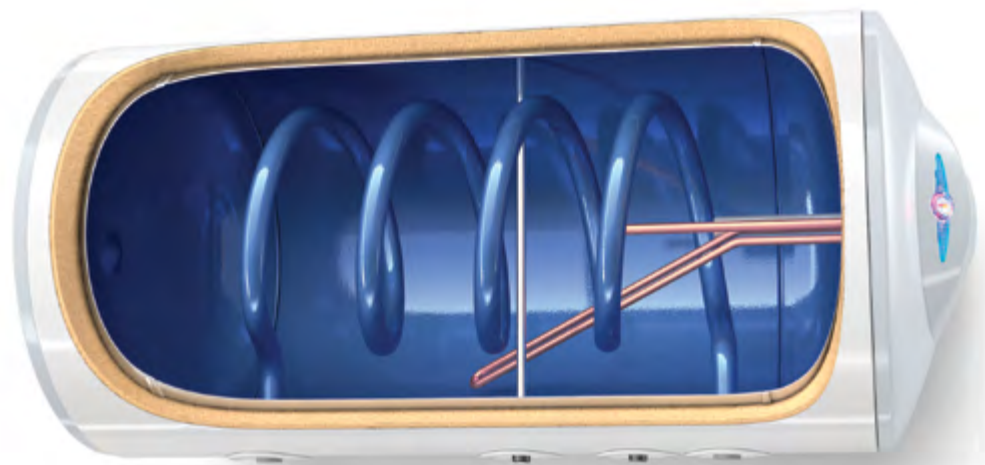


MODEL		BILIGHT SLIM 30 H	BILIGHT SLIM 50 H	BILIGHT 80 H	BILIGHT 100 H	BILIGHT 120 H	BILIGHT 150 H
CODE		GCHL 303515 B12 TSRC	GCH 503520 B12 TSR	GCH 804420 B12 TSR	GCH 1004420 B12 TSRC	GCH 1204430 B12 TSR	GCH 1504430 B12 TSRC
Real Volume	L	30	50	82	100	120	143
Diameter	mm	353	353	440	440	440	440
Rated power	W	1500	2000	2000	2000	3000	3000
Heating time $-\Delta t 45 K (15 - 60^\circ C)$		1h 02 min	1 h 18 min	2 h 08 min	2 h 36 min	2 h 05 min	2 h 29 min
Annual consumption of electricity AEC	kWh	577	1418	1422	2750	2727	4540
Energy class		C	C	C	C	C	C
Load profile		S	M	M	L	L	L
*T out of box	°C	60	70	60	75	70	60
**V 40	L	30	78	105	152	144	140
***T max	°C	70	70	70	75	70	70
****Max 40	L	36	78	146	177	213	240
Insulation	mm	18	18	18	18	18	18

PRODUCT DIMENSIONS		BILIGHT SLIM 30 H	BILIGHT SLIM 50 H	BILIGHT 80 H	BILIGHT 100 H	BILIGHT 120 H	BILIGHT 150 H
height (B)	mm	353	353	440	440	440	440
width (A)	mm	566	803	855	995	1160	1325
depth (C)	mm	380	380	467	467	467	467
D	mm	241	411	407	552	702	927

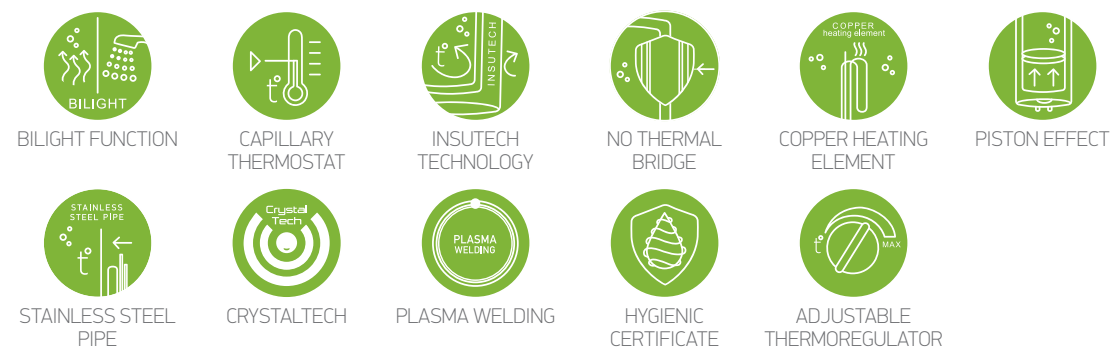
*T out of box – the optimal working temperature for the certain electric water heater model, set by the producer
 **V 40 – the quantity of hot water, which the electric water heater can produce, while working at T out of box
 ***T max – the maximal working temperature of the electric water heater
 ****Max 40 – the maximal quantity of hot water, which the electric water heater can produce, while working at maximum temperature

BiLight Horizontal with Heat Exchanger

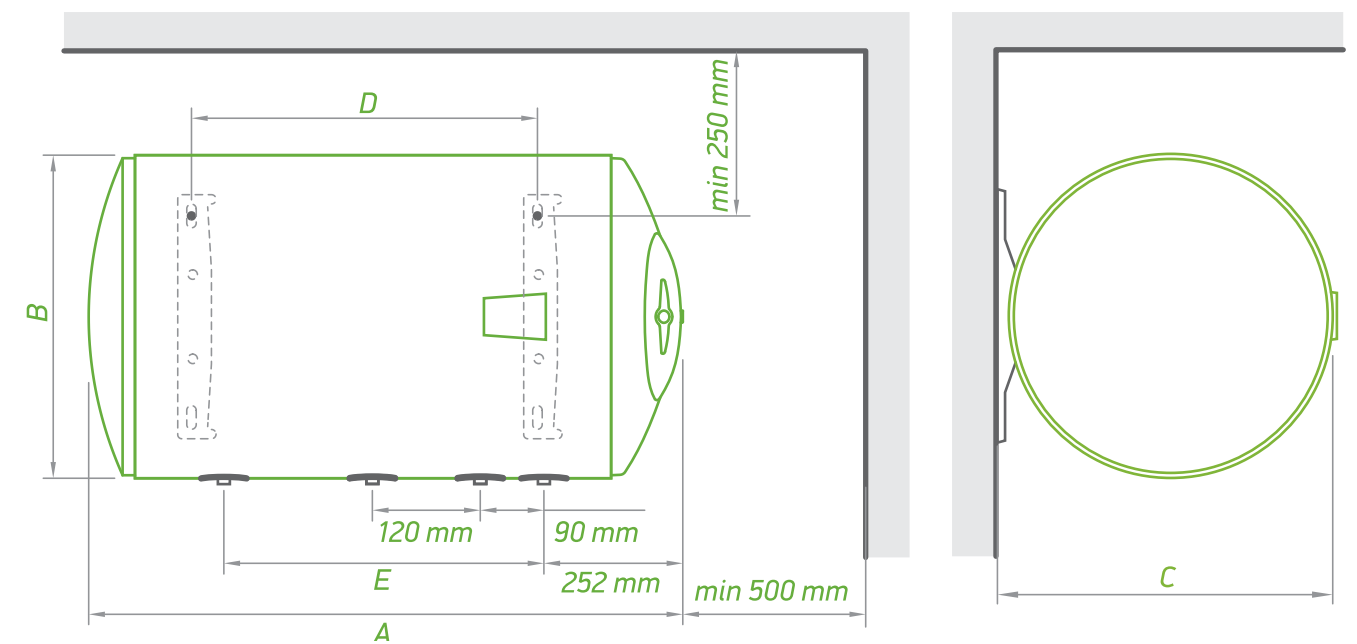


BiLight Horizontal with heat exchanger

- Option for connection to **ALTERNATIVE/RENEWABLE** sources of energy
- **COPPER HEATING ELEMENT**
- **BILIGHT INDICATION:**
 - Red light for Heating mode
 - Blue light for Ready-to-use mode
- **ON/OFF** switch
- **ANTI-FREEZE** function
- **ECO SETTING** of the thermoregulator for cost efficient and long-lasting operation
- Range 80 L - 120 L



BiLight Horizontal with Heat Exchanger



MODEL		BILIGHT80 HS	BILIGHT 100 HS	BILIGHT 120 HS
CODE		GCHS 804420 B12 TSRC	GCHS 1004420 B12 TSRC	GCHS 1204420 B12 TSRC
Real Volume	L	81	98	118
Diameter	mm	440	440	440
Rated power	W	2000	2000	2000
Heating time $-\Delta t$ 45 K (15 - 60° C)**80° C		0 h 54 min	0 h 45 min	0 h 48 min
Energy class		C	C	C
Heat exchanger surface	m ²	0,21	0,28	0,28
Heat exchanger capacity	L	0,9	1,2	1,2
Exchange power in continuous mode (max. coil output) *60-80° C	kW	2,9	5,7	5,7
Continuous flow rate of DHW at Δt 35° C *60 - 80° C	L/h	70	139	139
Standing losses S	W	63	74	90
Insulation	mm	18	18	18

PRODUCT DIMENSIONS		BILIGHT80 HS	BILIGHT 100 HS	BILIGHT 120 HS
height (B)	mm	440	440	440
width (A)	mm	855	995	1160
depth (C)	mm	467	467	467
D	mm	407	552	702
E	mm	360	480	480

*incoming-outgoing thermo transfer fluid in the heat exchanger
 **incoming thermal transfer fluid in the heat exchanger



BiLight Floor

DESIGNED ESPECIALLY FOR FLOOR MOUNTING

BILIGHT INDICATION:

- Red light for Heating mode
- Blue light for Ready-to-use mode

External thermo-regulator with **ECO SETTING** for cost efficient and prolonged operation cost efficient and long-lasting operation

ON/OFF switch

Range 60 L - 120 L



BILIGHT FUNCTION



NO THERMAL BRIDGE



CRYSTALTECH



INSUTECH TECHNOLOGY



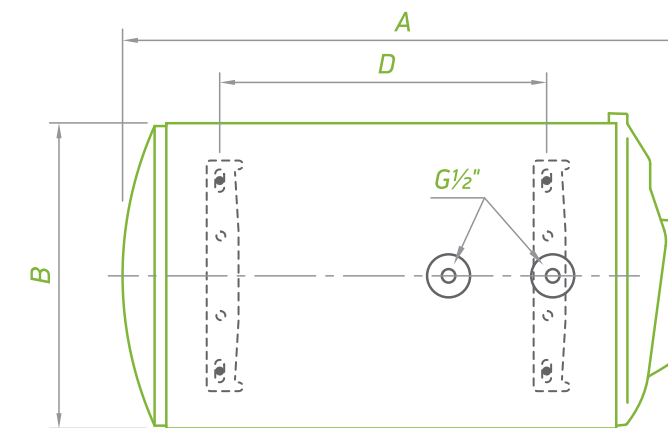
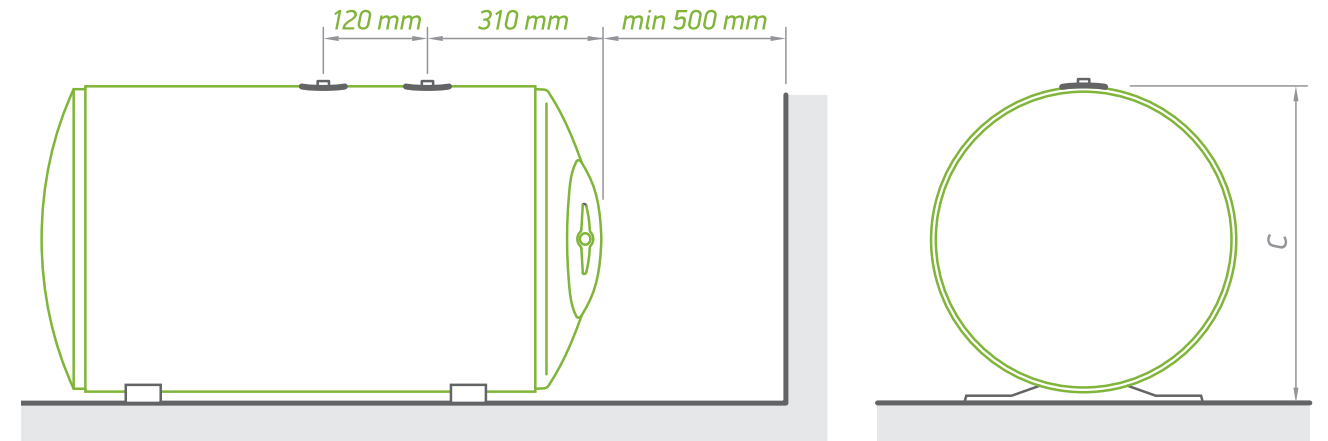
BELL NOZZLE



COPPER HEATING ELEMENT



PLASMA WELDING



MODEL	BILIGHT FLOOR 60	BILIGHT FLOOR 80	BILIGHT FLOOR 100	BILIGHT FLOOR 120
CODE	GCHF 604420 B12 SR	GCHF 804420 B12 SR	GCHF 1004420 B12 SR	GCHF 1204420 B12 SR

Real Volume	L	60	82	100	120
Diameter	mm	440	440	440	440
Rated power	W	2000	2000	2000	2000
Heating time	max	1 h 34 min	2 h 08 min	2 h 36 min	3 h 08 min
Annual consumption of electricity AEC	kWh	1419	2766	2750	2756
Energy class		C	C	C	C
Load profile		M	L	L	L
*T out of box	°C	60	70	60	60
**V 40	L	87	149	145	177
***T max	°C	70	70	70	70
Insulation	mm	18	18	18	18

PRODUCT DIMENSIONS

height (B)	mm	440	440	440	440
width (A)	mm	675	855	995	1160
depth (C)	mm	467	467	467	467
D	mm	411	407	552	701

*T out of box – the optimal working temperature for the certain electric water heater model, set by the producer

**V 40 – the quantity of hot water, which the electric water heater can produce, while working at T out of box

***T max – the maximal working temperature of the electric water heater



Anticalc

Perfect protection against limescale

- The water heaters in the **Anticalc** family have been developed for long-term and reliable operation in households supplied with hard, highly mineralised and/or chemically aggressive water. The enlarged surface of the dual heating element, housed in an enamelled steel enclosures with a smooth surface, substantially slows down and limits the process of limescale deposit.
- The appliances in the family work noiselessly and are easy to service, as they do not require preliminary draining of the water tank.
- The **Anticalc** family includes **Anticalc**, **Anticalc Slim** and **Anticalc Reversible** series.



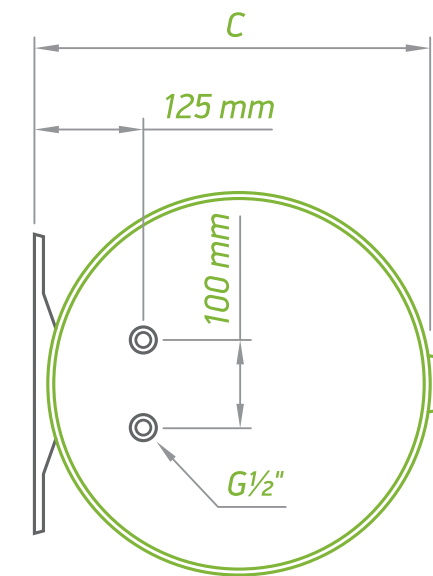
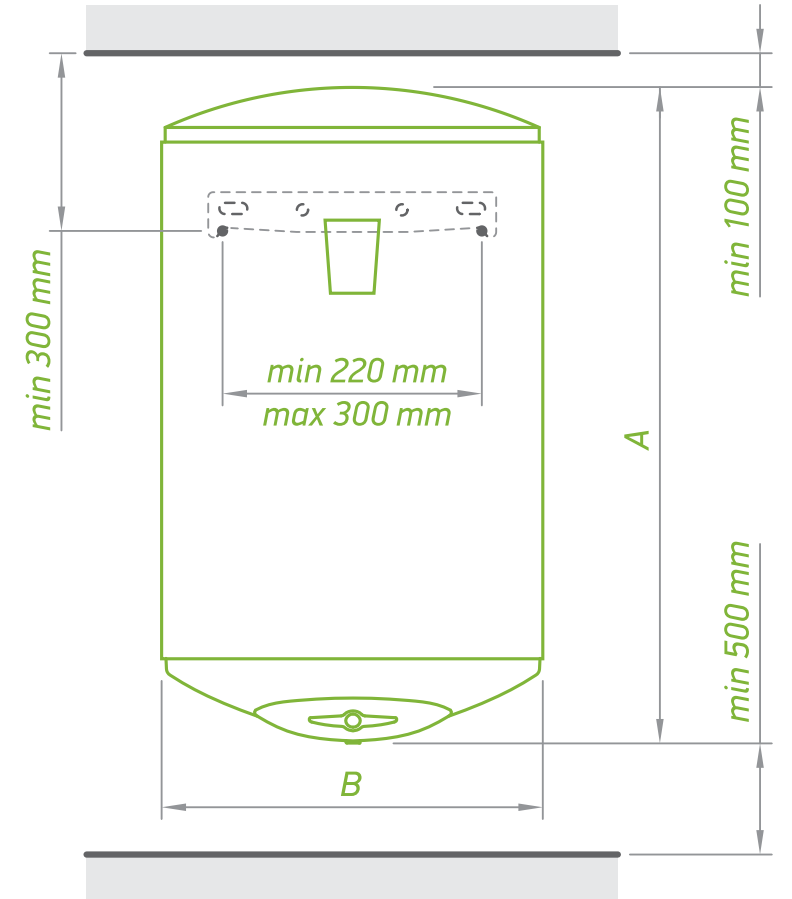
Anticalc

- **DUAL DRY HEATING ELEMENT:**
 - Limescale protection
 - Noiseless operation
 - Easy maintenance
 - Two power settings
- **EXTERNAL REGULATOR**
- **COST EFFICIENT OPERATION**
- **PRECISE CAPILLARY THERMOSTAT**
- **EXTENDED PRODUCT LIFE:** due to the dry heating element
- **BOOST:** Turns on the second power setting of the heating element
- **BILIGHT INDICATION:**
 - Red light for Heating mode
 - Blue light for Ready-to-use mode
- Range 50 L - 150 L

MODEL		ANTICALC 50	ANTICALC 80	ANTICALC 100	ANTICALC 120	ANTICALC 150
CODE		GCV 504416D B14 TBR(C)	GCV 804424D B14 TBR(C)	GCV 1004424D B14 TBR(C)	GCV 1204424D B14 TBR(C)	GCV 1504424D B14 TBR(C)
Real Volume	L	50	82	100	120	143
Diameter	mm	440	440	440	440	440
Rated power	W	1600 / 800	2400 / 1200	2400 / 1200	2400 / 1200	2400 / 1200
Heating time -Δ t 45 K (15 - 60° C)		1 h 37 min 3 h 15 min	1 h 47 min 3 h 34 min	2 h 10 min 4 h 20 min	2 h 36 min 5 h 13 min	3 h 07 min 6 h 13 min
Annual consumption of electricity AEC	kWh	1392	2748	2756	4346	4377
Energy class		C	C	C	C	C
Load profile		M	L	L	XL	XL
*T out of box	°C	60	70	60	70	65
**V 40	L	74	147	142	219	232
***T max	°C	70	70	70	70	70
****Max 40	L	88	147	170	219	257
Insulation	mm	18	18	18	18	18

*T out of box – the optimal working temperature for the certain electric water heater model, set by the producer
 **V 40 – the quantity of hot water, which the electric water heater can produce, while working at T out of box
 ***T max – the maximal working temperature of the electric water heater
 ****Max 40 – the maximal quantity of hot water, which the electric water heater can produce, while working at maximum temperature

- BILIGHT FUNCTION
- INSUTECH TECHNOLOGY
- PISTON EFFECT
- DRY HEATING ELEMENT
- CRYSTALTECH
- ANTICALC
- LIMESCALE PROTECTION
- CAPILLARY THERMOSTAT
- NO THERMAL BRIDGE
- STAINLESS STEEL PIPE
- HYGIENIC CERTIFICATE
- PLASMA WELDING



PRODUCT DIMENSIONS		ANTICALC 50	ANTICALC 80	ANTICALC 100	ANTICALC 120	ANTICALC 150
CODE		GCV 504416D B14 TBR(C)	GCV 804424D B14 TBR(C)	GCV 1004424D B14 TBR(C)	GCV 1204424D B14 TBR(C)	GCV 1504424D B14 TBR(C)
height (A)	mm	608	858	998	1163	1327
width (B)	mm	440	440	440	440	440
depth (C)	mm	467	467	467	467	467



Anticalc Slim

- **SLIM** diameter of 38 cm (35 cm for 30 L)
- **THICK INSULATION** of 34 mm (18mm for the 30 L model)
- **DUAL DRY HEATING ELEMENT:**
 - Limescale protection
 - Noiseless operation
 - Easy maintenance
 - Two power settings
- **EXTERNAL THERMO REGULATOR**
- **PRECISE CAPILLARY THERMOSTAT**
- **EXTENDED PRODUCT LIFE:** due to the dry heating element
- **BOOST:** Turns on the second power setting of the heating element
- **BILIGHT INDICATION:**
 - Red light for Heating mode
 - Blue light for Ready-to-use mode
- Range 30 L - 80 L

MODEL		ANTICALC SLIM 30	ANTICALC SLIM 50	ANTICALC SLIM 80
CODE		GCV 303516D B14 TBRC	GCV 503816D B14 TBRC	GCV 803816D B14 TBRC
Real Volume	L	30	50	80
Diameter	mm	353	386	386
Rated power	W	1600 / 800	1600 / 800	1600 / 800
Heating time -Δ t 45 K (15 - 60° C)		0 h 58 min 1 h 57 min	1 h 37 min 3 h 15 min	2 h 36 min 5 h 13 min
Annual consumption of electricity AEC	kWh	562	1388	1410
Energy class		C	C	C
Load profile		S	M	M
*T out of box	°C	60	60	60
**V 40	L	40	70	123
***T max	°C	70	70	70
****Max 40	L	46	86	148
Insulation	mm	18	34	34

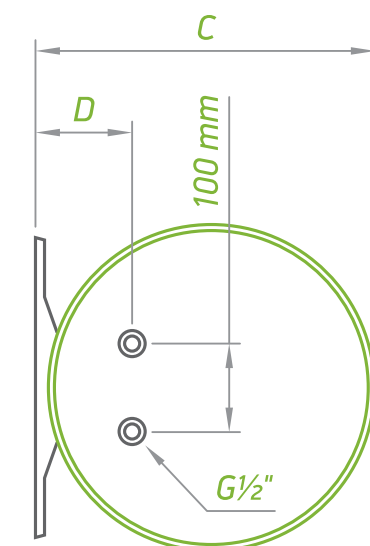
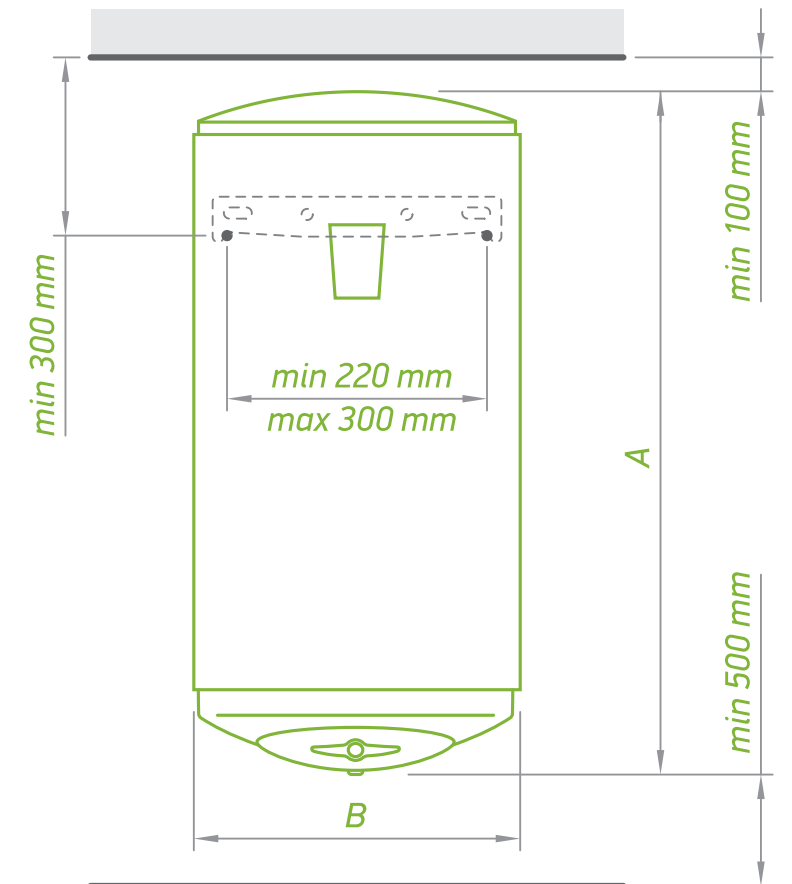
*T out of box – the optimal working temperature for the certain electric water heater model, set by the producer

**V 40 – the quantity of hot water, which the electric water heater can produce, while working at T out of box

***T max – the maximal working temperature of the electric water heater

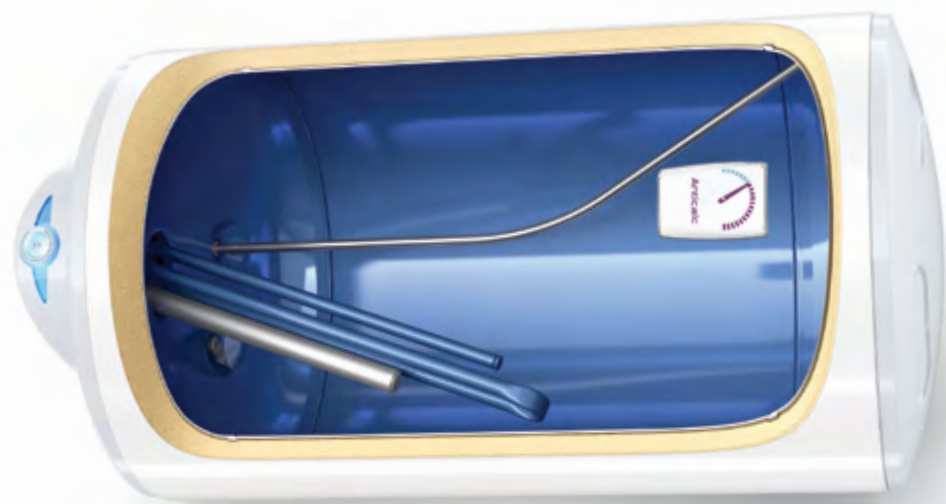
****Max 40 – the maximal quantity of hot water, which the electric water heater can produce, while working at maximum temperature

- BILIGHT FUNCTION
- SLIM DESIGN
- INSUTECH TECHNOLOGY
- NO THERMAL BRIDGE
- PISTON EFFECT
- STAINLESS STEEL PIPE
- DRY HEATING ELEMENT
- HYGIENIC CERTIFICATE
- CRYSTALTECH
- PLASMA WELDING
- LIMESCALE PROTECTION
- CAPILLARY THERMOSTAT



PRODUCT DIMENSIONS		ANTICALC SLIM 30	ANTICALC SLIM 50	ANTICALC SLIM 80
CODE		GCV 303516D B14 TBRC	GCV 503816D B14 TBRC	GCV 803816D B14 TBRC
height (A)	mm	570	818	1220
width (B)	mm	353	386	386
depth (C)	mm	380	380	380
D	mm	82	98	98

Anticalc Reversible



Anticalc Reversible

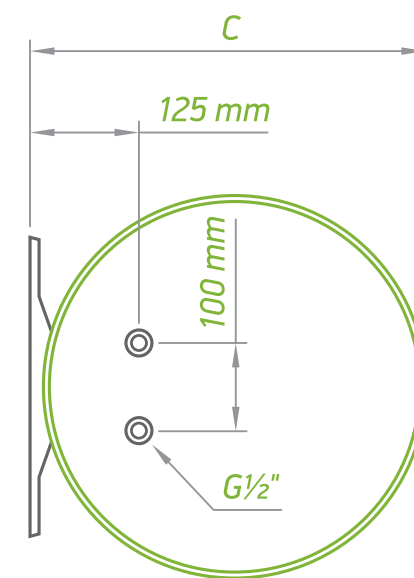
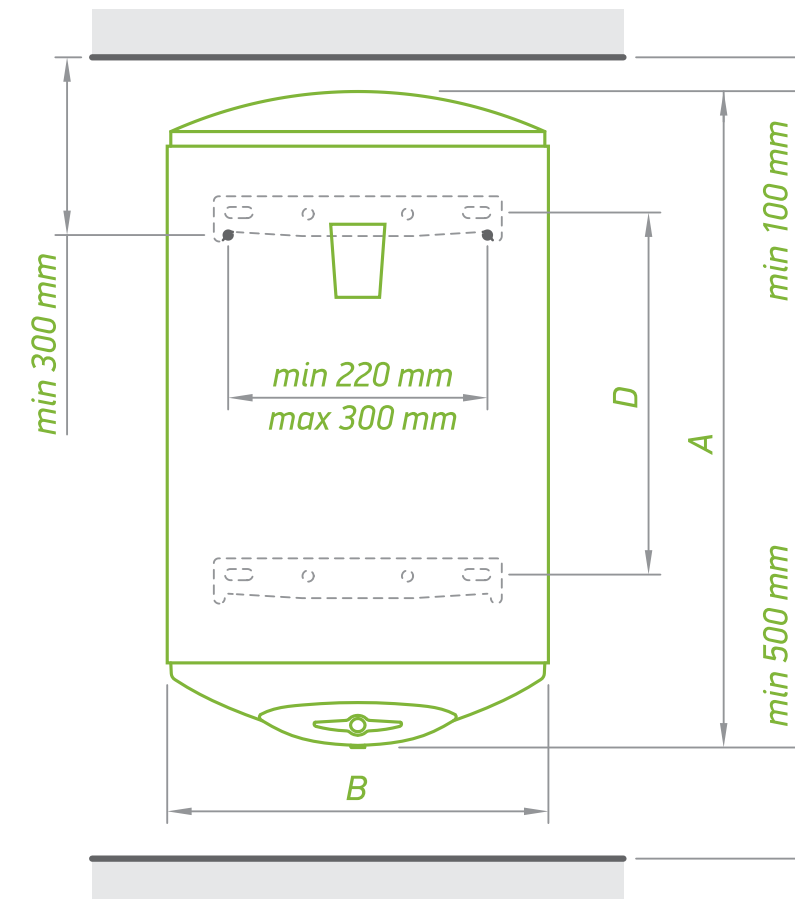
- **REVERSIBLE:** Can be installed vertically or horizontally
- **DRY HEATING ELEMENT:**
 - Limescale protection
 - Noiseless operation
 - Easy maintenance
 - Two power settings
- **EXTERNAL THERMO REGULATOR**
- **PRECISE CAPILLARY THERMOSTAT**
- **EXTENDED PRODUCT LIFE:** due to the dry heating element
- **BOOST:** Turns on the second power setting of the heating element
- **BILIGHT INDICATION:**
 - Red light for Heating mode
 - Blue light for Ready-to-use mode
- Range 50 L - 150 L

MODEL		ANTICALC 50 REV	ANTICALC 80 REV	ANTICALC 100 REV	ANTICALC 120 REV	ANTICALC 150 REV
CODE		GCR 504416D B14 TBRC	GCR 804424D B14 TBRC	GCR 1004424D B14 TBRC	GCR 1204424D B14 TBRC	GCR 1504424D B14 TBRC
Real Volume	L	50	82	100	120	143
Diameter	mm	440	440	440	440	440
Rated power	W	1600 / 800	2400 / 1200	2400 / 1200	2400 / 1200	2400 / 1200
Heating time -Δ t 45 K (15 - 60° C)		1 h 37 min 3 h 15 min	1 h 47 min 3 h 34 min	2 h 10 min 4 h 21 min	2 h 36 min 5 h 13 min	3 h 07 min 6 h 13 min
Annual consumption of electricity AEC	kWh	1392	2748	2756	4346	4377
Energy class		C	C	C	C	C
Load profile		M	L	L	XL	XL
*T out of box	°C	60	70	60	70	65
**V 40	L	74	147	142	219	232
***T max	°C	70	70	70	70	70
****Max 40	L	88	147	170	219	257
Insulation	mm	18	18	18	18	18

*T out of box – the optimal working temperature for the certain electric water heater model, set by the producer
 **V 40 – the quantity of hot water, which the electric water heater can produce, while working at T out of box
 ***T max – the maximal working temperature of the electric water heater
 ****Max 40 – the maximal quantity of hot water, which the electric water heater can produce, while working at maximum temperature

Anticalc Reversible

- REVERSIBLE MODELS
- BILIGHT FUNCTION
- INSUTECH TECHNOLOGY
- PISTON EFFECT
- DRY HEATING ELEMENT
- CRYSTALTECH
- LIMESCALE PROTECTION
- CAPILLARY THERMOSTAT
- NO THERMAL BRIDGE
- STAINLESS STEEL PIPE
- HYGIENIC CERTIFICATE
- PLASMA WELDING
- CAPILLARY THERMOSTAT



PRODUCT DIMENSIONS		ANTICALC 50 REV	ANTICALC 80 REV	ANTICALC 100 REV	ANTICALC 120 REV	ANTICALC 150 REV
CODE		GCR 504416D B14 TBRC	GCR 804424D B14 TBRC	GCR 1004424D B14 TBRC	GCR 1204424D B14 TBRC	GCR 1504424D B14 TBRC
height (A)	mm	608	858	998	1163	1327
width (B)	mm	440	440	440	440	440
depth (C)	mm	467	467	467	467	467
D	mm	183	407	552	702	827



MaxEau

Maximum capacity for maximum hot water

- The products from **MaxEau** family are with the highest capacity and are manufactured with the thickest insulation of 40 mm amongst all TESI electric water heaters. This allows them to provide more hot water, while keeping it warm longer.
- The precise capillary thermostat ensures control of the water heating process and guarantees an extended life of the water tank.
- The **MaxEau family** includes **MaxEau Ceramic**, **MaxEau Hybrid**, **MaxEau** and **MaxEau Floor**.



MaxEau Ceramic

CERAMIC HEATING ELEMENT:

- Limescale protection
- Noiseless operation
- Easy maintenance without draining
- Two power settings

ON/OFF switch

PRECISE CAPILLARY THERMOSTAT

THICK INSULATION of 40 mm

Range 150 L - 200 L

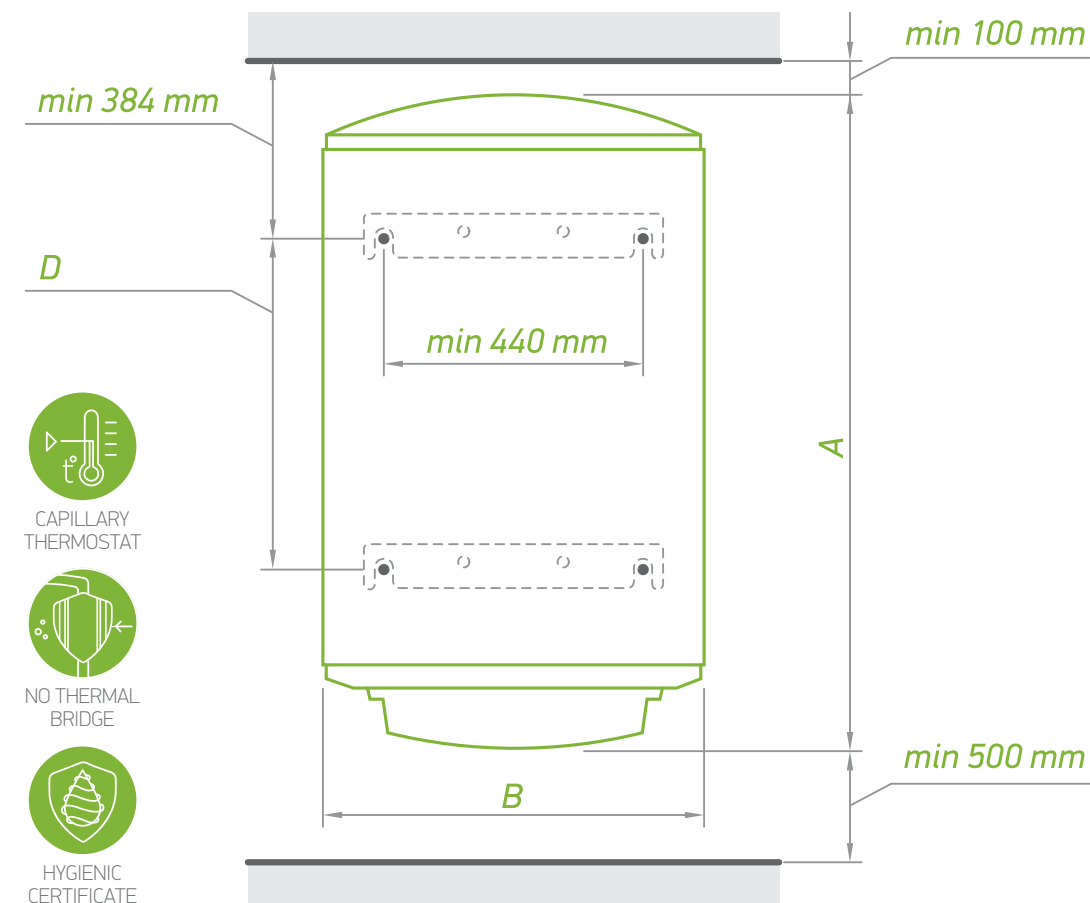
MODEL	MAXEAU CERAMIC 150	MAXEAU CERAMIC 200
CODE	GCV 1505624C D06 S2RC	GCV 2005624C D06 S2RC
Real Volume	L 150	200
Diameter	mm 560	560
Rated power	W 1200 / 2400	1200 / 2400
Heating time $-\Delta t$ 45 K (15 - 60° C)	6 h 31 min 3 h 15 min	8 h 42 min 4 h 21 min
Annual consumption of electricity AEC	kWh 2726	2711
Energy class	C	C
Load profile	L	L
*T out of box	°C 70	60
**V 40	L 271	290
***T max	°C 70	70
****Max 40	L 271	354
Insulation	mm 40	40

*T out of box – the optimal working temperature for the certain electric water heater model, set by the producer

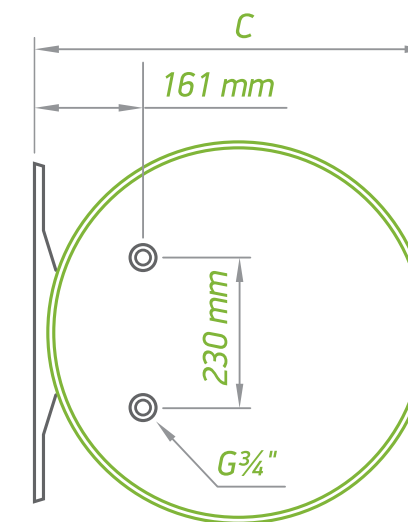
**V 40 – the quantity of hot water, which the electric water heater can produce, while working at T out of box

***T max – the maximal working temperature of the electric water heater

****Max 40 – the maximal quantity of hot water, which the electric water heater can produce, while working at maximum temperature



- STAINLESS STEEL PIPE
- INSUTECH TECHNOLOGY
- CERAMIC HEATING ELEMENT
- CRYSTALTECH
- ANTICALC
- LIMESCALE PROTECTION
- CAPILLARY THERMOSTAT
- NO THERMAL BRIDGE
- HYGIENIC CERTIFICATE
- PLASMA WELDING



PRODUCT DIMENSIONS	MAXEAU CERAMIC 150	MAXEAU CERAMIC 200
CODE	GCV 1505624C D06 S2RC	GCV 2005624C D06 S2RC
height (A)	mm 1083	1357
width (B)	mm 560	560
depth (C)	mm 567	567
D	mm 500	800



MaxEau Ceramic
with heat exchanger

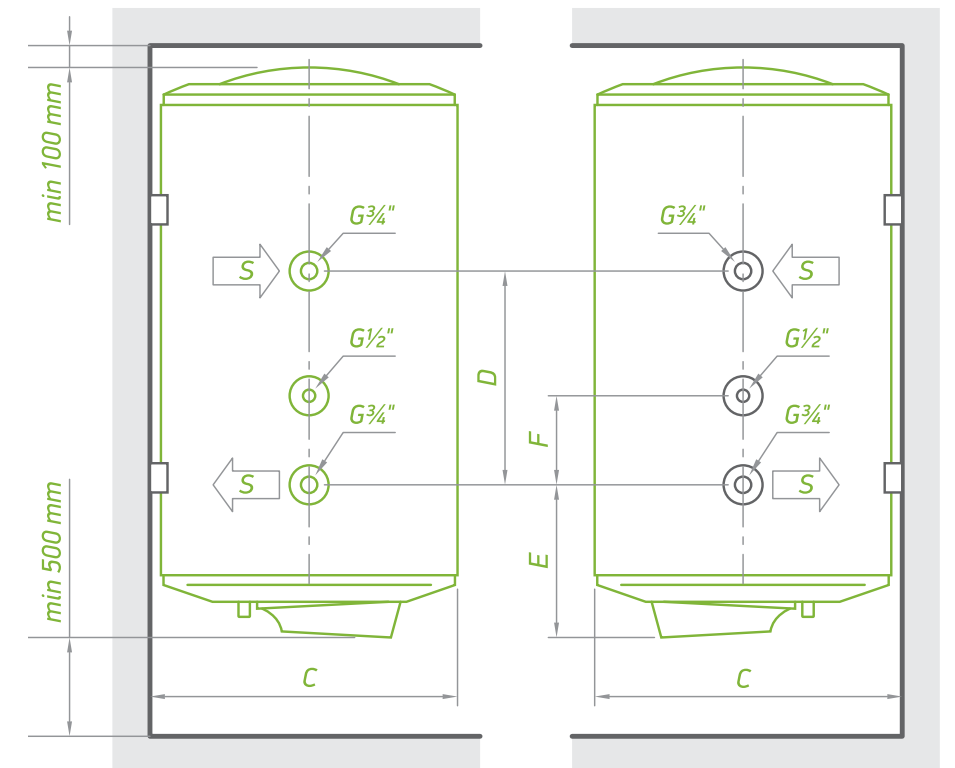
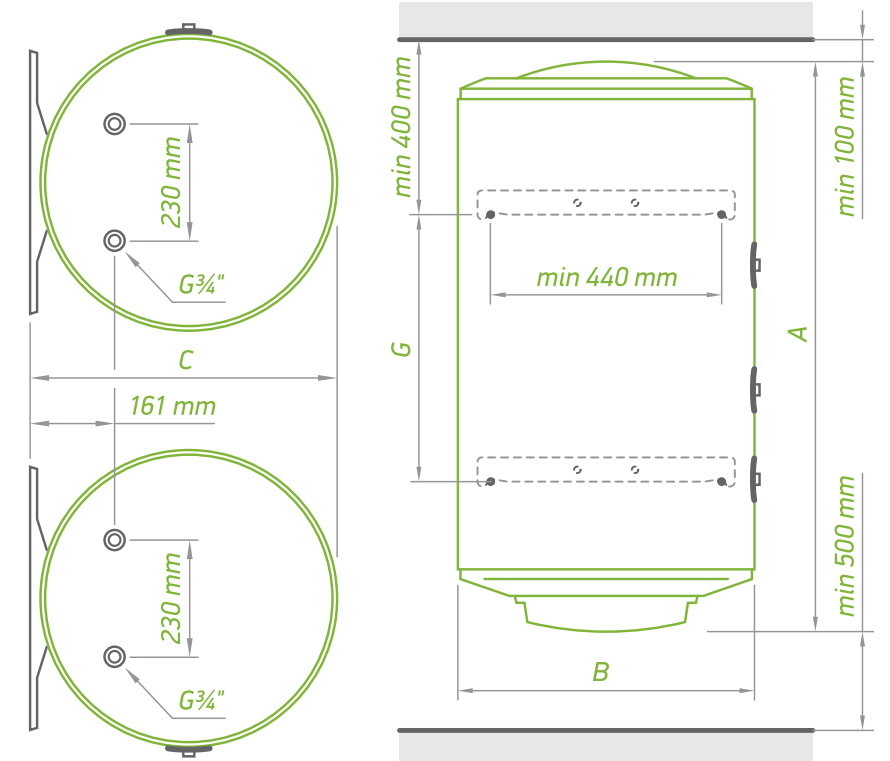
- Option for connection to **ALTERNATIVE/RENEWABLE** sources of energy
- **CERAMIC HEATING ELEMENT:**
 - Limescale protection
 - Noiseless operation
 - Easy maintenance without draining
 - Two power settings
- **PRECISE CAPILLARY THERMOSTAT**
- **THICK INSULATION** of 40 mm ensuring lower heat losses
- In-built highly efficient heat exchanger with integrated **TURBULATOR**
- Specific design of the heat exchanger, which enhances **FULL WATER VOLUME HEATING**
- **10 COILS** of the heat exchanger
- **POCKET** for a temperature sensor
- Range 200 L

MODEL	MAXEAU CERAMIC 200 S	
CODE	GCV 10S(L) 2005624C D06 S2RP	
Real Volume	L	196
Diameter	mm	560
Rated power	W	1200 / 2400
Heating time -Δ t 45 K (15 - 60° C)**80° C		0 h 42 min
Energy class		B
Heat exchanger surface	m ²	0,76
Heat exchanger capacity	L	5
Exchange power in continuous mode (max. coil output) *60-80° C	kW	22,6
Continuous flow rate of DHW at Δ t 35° C *60 - 80° C	L/h	561
Thermo pocket		x 1
Standing losses S	W	61
Insulation	mm	40

PRODUCT DIMENSIONS	MAXEAU CERAMIC 200 S	
CODE	GCV 10S(L) 2005624C D06 S2RP	
height (A)	mm	1357
width (B)	mm	560
depth (C)	mm	570
D	mm	800
E	mm	296
F	mm	150
G	mm	800

*incoming-outgoing thermo transfer fluid in the heat exchanger
**incoming thermal transfer fluid in the heat exchanger

- STAINLESS STEEL PIPE
- INSUTECH TECHNOLOGY
- CERAMIC HEATING ELEMENT
- CRYSTALTECH
- ANTICALC
- LIMESCALE PROTECTION
- CAPILLARY THERMOSTAT
- NO THERMAL BRIDGE
- HYGIENIC CERTIFICATE
- PLASMA WELDING
- TURBULATOR





MaxEau Hybrid

HYBRID ANTICORROSION SYSTEM: TITANIUM and MAGNESIUM ANODES

- Hybrid technology of a classic magnesium anode and a titanium powered anode: Extra protection for longer product life
- Additional security against power cuts: The magnesium anode backs up the titanium one in case of a power failure
- Suitable for any type of water – soft, hard and aggressive

CERAMIC HEATING ELEMENT:

- Limescale protection
- Noiseless operation
- Easy maintenance without draining
- Two power settings

PRECISE CAPILLARY THERMOSTAT

- THICK INSULATION of 40 mm ensuring lower heat losses
- Range 200 L

MODEL	MAXEAU HYBRID	
CODE	GCV 2005624C D06 S2RCH	

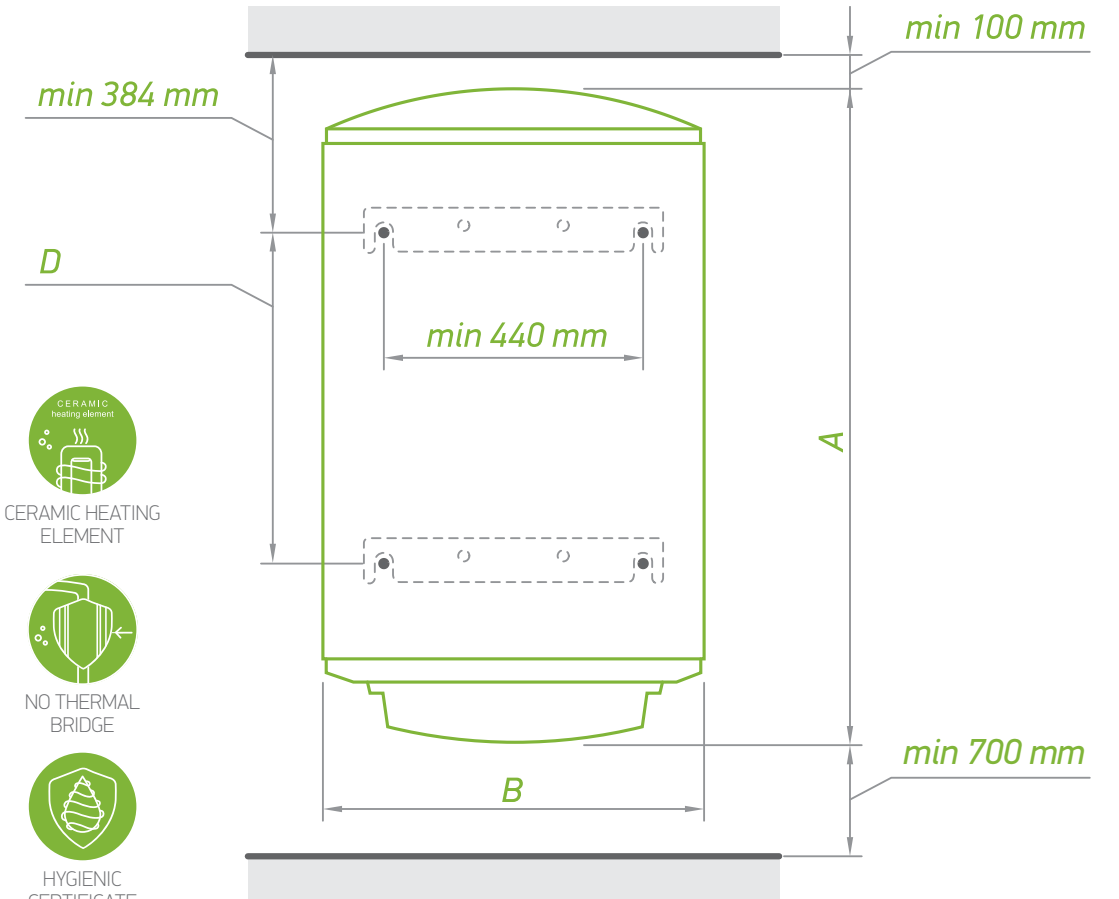
Real Volume	L	200
Diameter	mm	560
Rated power	W	1200 / 2400
Heating time –Δ t 45 K (15 - 60° C)**80° C		8 h 42 min 4 h 21 min
Annual consumption of electricity / AEC [kWh]	kWh	2711
Energy efficiency class		C
Load profile	L	L
Tout of box	°C	60
**V 40	L	290
*T out of box	°C	70
****Max 40	L	354

*T out of box – the optimal working temperature for the certain electric water heater model, set by the producer

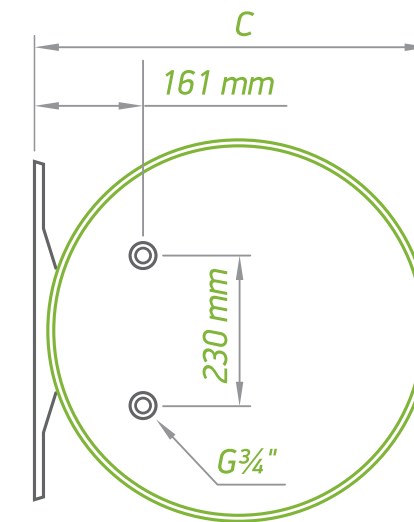
**V 40 – the quantity of hot water, which the electric water heater can produce, while working at T out of box

***T max – the maximal working temperature of the electric water heater

****Max 40 – the maximal quantity of hot water, which the electric water heater can produce, while working at maximum temperature



- HYBRID ANTICORROSION SYSTEM
- CERAMIC HEATING ELEMENT
- INSUTECH TECHNOLOGY
- NO THERMAL BRIDGE
- CAPILLARY THERMOSTAT
- HYGIENIC CERTIFICATE
- CRYSTALTECH
- PLASMA WELDING
- STAINLESS STEEL PIPE



PRODUCT DIMENSIONS	MAXEAU CERAMIC 200	
CODE	GCV 2005624C D06 S2RC	

height (A)	mm	1375
width (B)	mm	560
depth (C)	mm	567
D	mm	800



MaxEau

- COPPER HEATING ELEMENT
- ON/OFF switch
- THICK INSULATION of 40 mm
- PRECISE CAPILLARY THERMOSTAT
- Range 150 L - 200 L

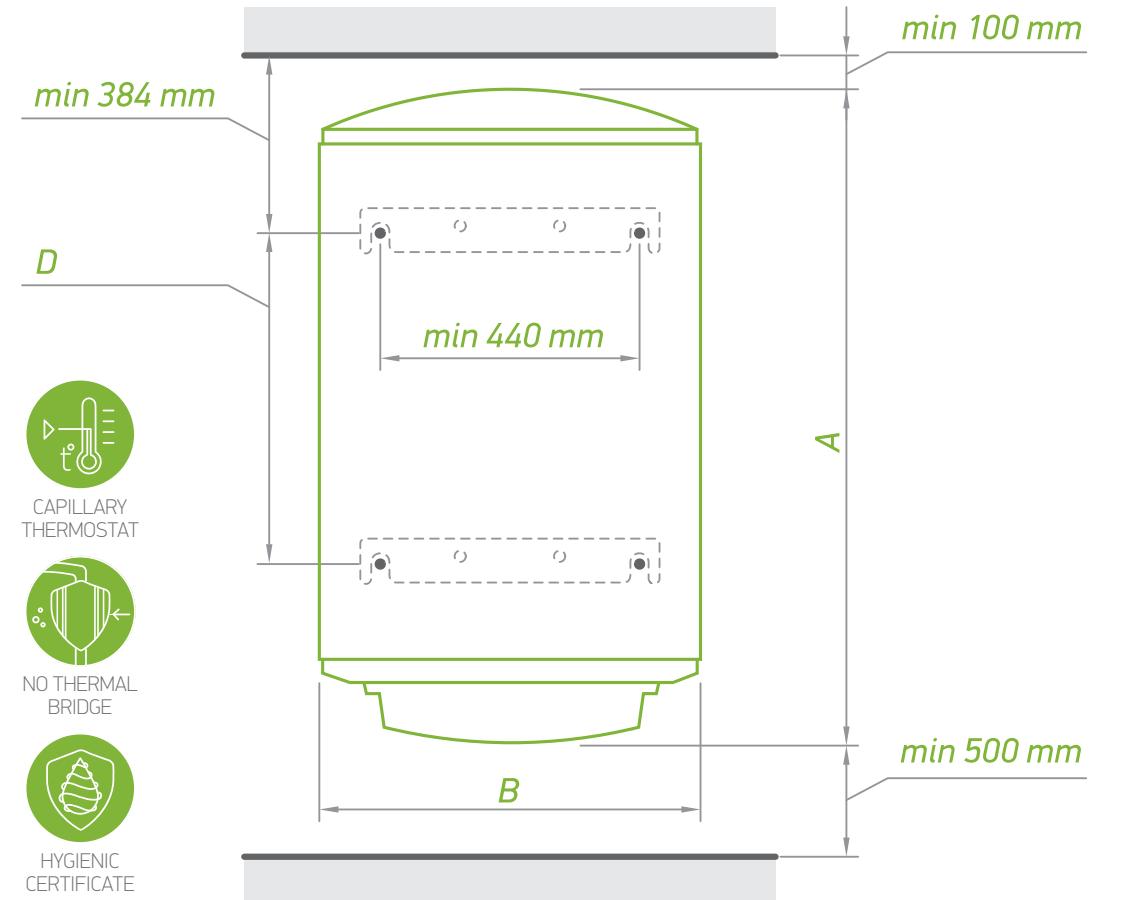
MODEL		MAXEAU 150	MAXEAU 200
CODE		GCV 1505620 D06 SRC	GCV 2005620 D06 SRC
Real Volume	L	150	200
Diameter	mm	560	560
Rated power	W	2000	2000
Heating time $-\Delta t$ 45 K (15 - 60° C)		3h 55 min	5h 13 min
Annual consumption of electricity AEC	kWh	2741	2755
Energy class		C	C
Load profile		L	L
**V 40	L	210	304
*T out of box	°C	70	70
***T max	°C	70	70
****Max 40	L	261	358
Insulation	mm	40	40

*T out of box – the optimal working temperature for the certain electric water heater model, set by the producer

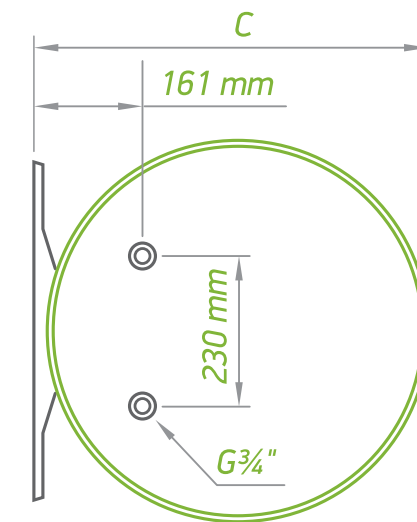
**V 40 – the quantity of hot water, which the electric water heater can produce, while working at T out of box

***T max – the maximal working temperature of the electric water heater

****Max 40 – the maximal quantity of hot water, which the electric water heater can produce, while working at maximum temperature



- STAINLESS STEEL PIPE
- INSUTECH TECHNOLOGY
- COPPER HEATING ELEMENT
- CRYSTALTECH
- CAPILLARY THERMOSTAT
- NO THERMAL BRIDGE
- HYGIENIC CERTIFICATE
- PLASMA WELDING



PRODUCT DIMENSIONS		MAXEAU 150	MAXEAU 200
CODE		GCV 1505620 D06 SRC	GCV 2005620 D06 SRC
height (A)	mm	1083	1357
width (B)	mm	560	560
depth (C)	mm	567	567
D	mm	500	800



MaxEau Floor

- Option for connection to **ALTERNATIVE/RENEWABLE** sources of energy
- **THICK INSULATION** of 40 mm ensuring lower heat losses
- **THERMOREGULATOR** and light indicator
- **11 COILS** of the heat exchanger
- **RECIRCULATION** of the hot water
- **ADJUSTABLE LEGS**
- Option for installing **PLUG-AND-PLAY HEATING ELEMENT**
- Range 150 L - 200 L

MODEL		MAXEAU FLOOR 150	MAXEAU FLOOR 200
CODE		GCVF11S 15056D D06 R	GCVF11S 20056D D06 R
Real Volume	L	150	200
Diameter	mm	560	560
Heating time -Δ t 45 K (15 - 60° C)** 80° C		0 h 25 min	0 h 32 min
Energy class		D	D
Heat exchanger surface	m ²	1,06	1,06
Heat exchanger capacity	L	6,4	6,4
Exchange power in continuous mode (max. coil output) *60-80° C	kW	33	33
Continuous flow rate of DHW at Δ t 35° C *60 - 80° C	L/h	1427	1427
Standing losses S	W	83	96
Insulation	mm	40	40

*incoming-outgoing thermo transfer fluid in the heat exchanger
 **incoming thermal transfer fluid in the heat exchanger



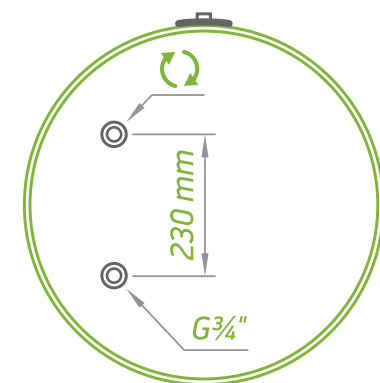
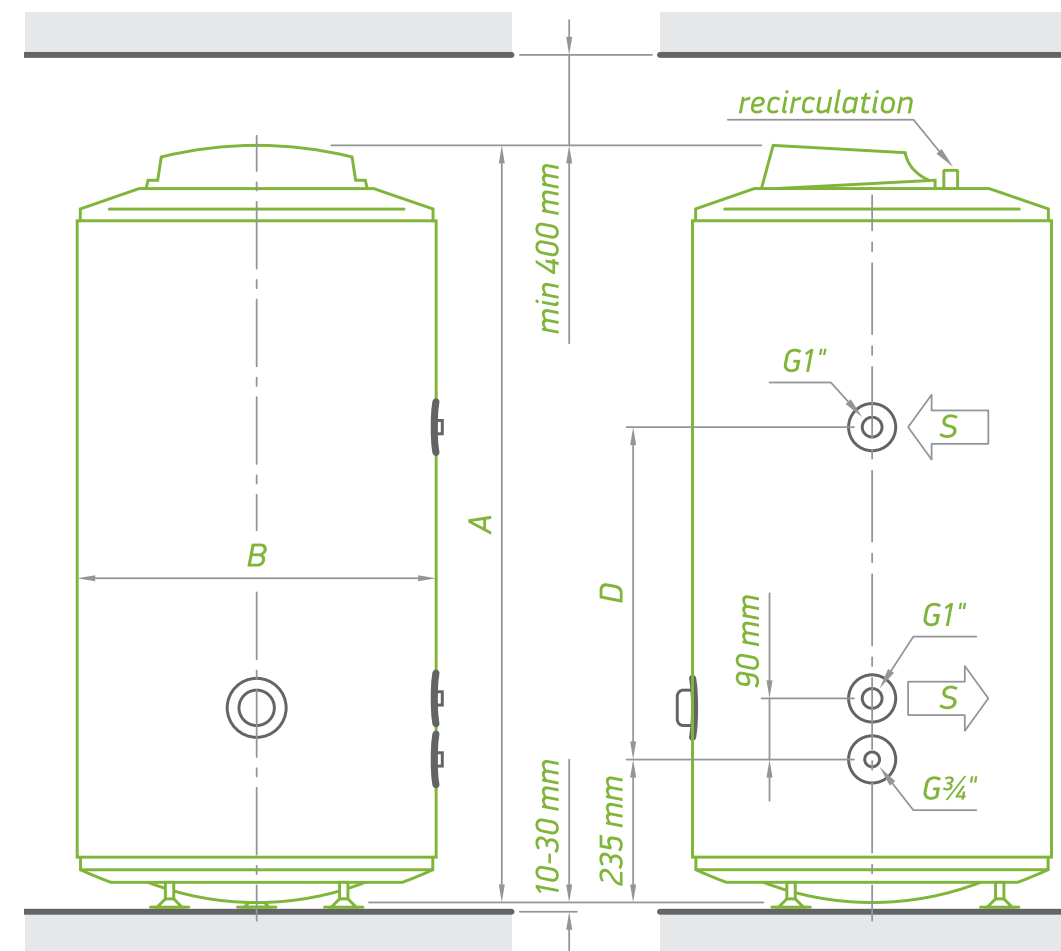
INSUTECH TECHNOLOGY



HYGIENIC CERTIFICATE



STAINLESS STEEL PIPE



PRODUCT DIMENSIONS		MAXEAU FLOOR 150	MAXEAU FLOOR 200
CODE		GCVF11S 15056D D06 R	GCVF11S 20056D D06 R
height (A)	mm	1083	1362
width (B)	mm	560	560
depth (C)	mm	567	567
D	mm	550	550



Compact

Small footprint, big performance

- The water heaters of the **Compact family** are suitable for installation in small and narrow spaces close to the point of use of hot water. Depending on the room interior and the existing utilities, such appliances can be installed under or above a sink or mixing tap. The Compact family includes electric water heaters with capacities from 5 L to 30 L.
- The flat base of the models for under-the-point-of-use installation allows direct on-floor or in-cupboard placement, which avoids wall drilling.



Compact 5

- **COPPER HEATING ELEMENT**
- **COMPACT SIZE**
- **ANTICORROSION PROTECTION** due to the enamel coating
- **POLYURETHANE INSULATION**
- **LIGHT INDICATION** for Working mode
- **UNDER THE SINK INSTALLATION**
- **FLOOR STANDING INSTALLATION**

MODEL	COMPACT 5		
CODE	GCU 0515 M02 RC		
Real Volume	L		5
Rated power	W		1500
Heating time $-\Delta t$ 45 K (15 - 60° C)			0 h 10 min
Annual consumption of electricity AEC	kWh		571
Energy class			B
Load profile			XXS
*T out of box	°C		65
**V 40	L		8
***T max	°C		65
****Max 40	L		8

*T out of box – the optimal working temperature for the certain electric water heater model, set by the producer
 **V 40 – the quantity of hot water, which the electric water heater can produce, while working at T out of box
 ***T max – the maximal working temperature of the electric water heater
 ****Max 40 – the maximal quantity of hot water, which the electric water heater can produce, while working at maximum temperature



UNDER SINK INSTALLATION



EASY INSTALLATION



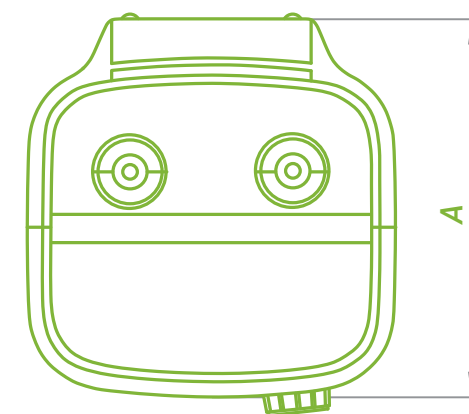
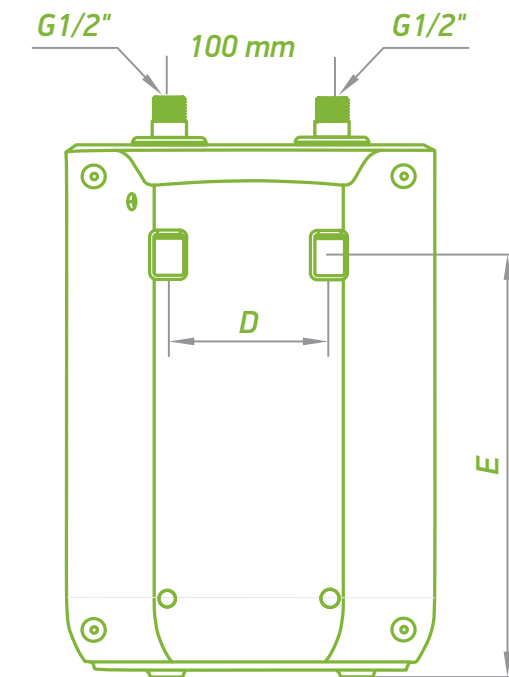
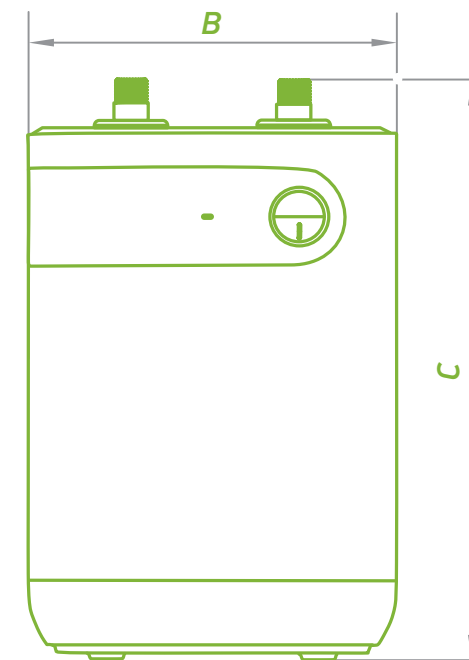
ADJUSTABLE THERMOREGULATOR



ANODE PROTECTOR



COMPACT SIZE



PRODUCT DIMENSIONS	COMPACT 5		
CODE	GCU 0515 M02 RC		
height (A)	mm		227
width (B)	mm		234
depth (C)	mm		328

Compact 7



Compact 7

- COPPER HEATING ELEMENT
- ANTICORROSION PROTECTION due to enamel coating
- POLYURETHANE INSULATION
- LIGHT INDICATION FOR:
 - Power supply
 - Working mode
- ABOVE AND UNDER THE SINK INSTALLATION
- FLOOR STANDING INSTALLATION for under sink model

MODEL		COMPACT 7 A	COMPACT 7 U
CODE		GCA 0715 G01 RC	GCU 0715 G01 RC
Real Volume	L	6.5	6.5
Rated power	W	1500	1500
Heating time –Δ t 45 K (15 - 60° C)		0 h 14 min	0 h 14 min
Annual consumption of electricity AEC	kWh	525	550
Energy class		A	B
Load profile		XXS	XXS
*T out of box	°C	65	65
**V 40	L	12	11
***T max	°C	65	65
****Max 40	L	12	11

*T out of box – the optimal working temperature for the certain electric water heater model, set by the producer

**V 40 – the quantity of hot water, which the electric water heater can produce, while working at T out of box

***T max – the maximal working temperature of the electric water heater

****Max 40 – the maximal quantity of hot water, which the electric water heater can produce, while working at maximum temperature

Compact 7



EASY INSTALLATION



ADJUSTABLE THERMOREGULATOR



ANODE PROTECTOR



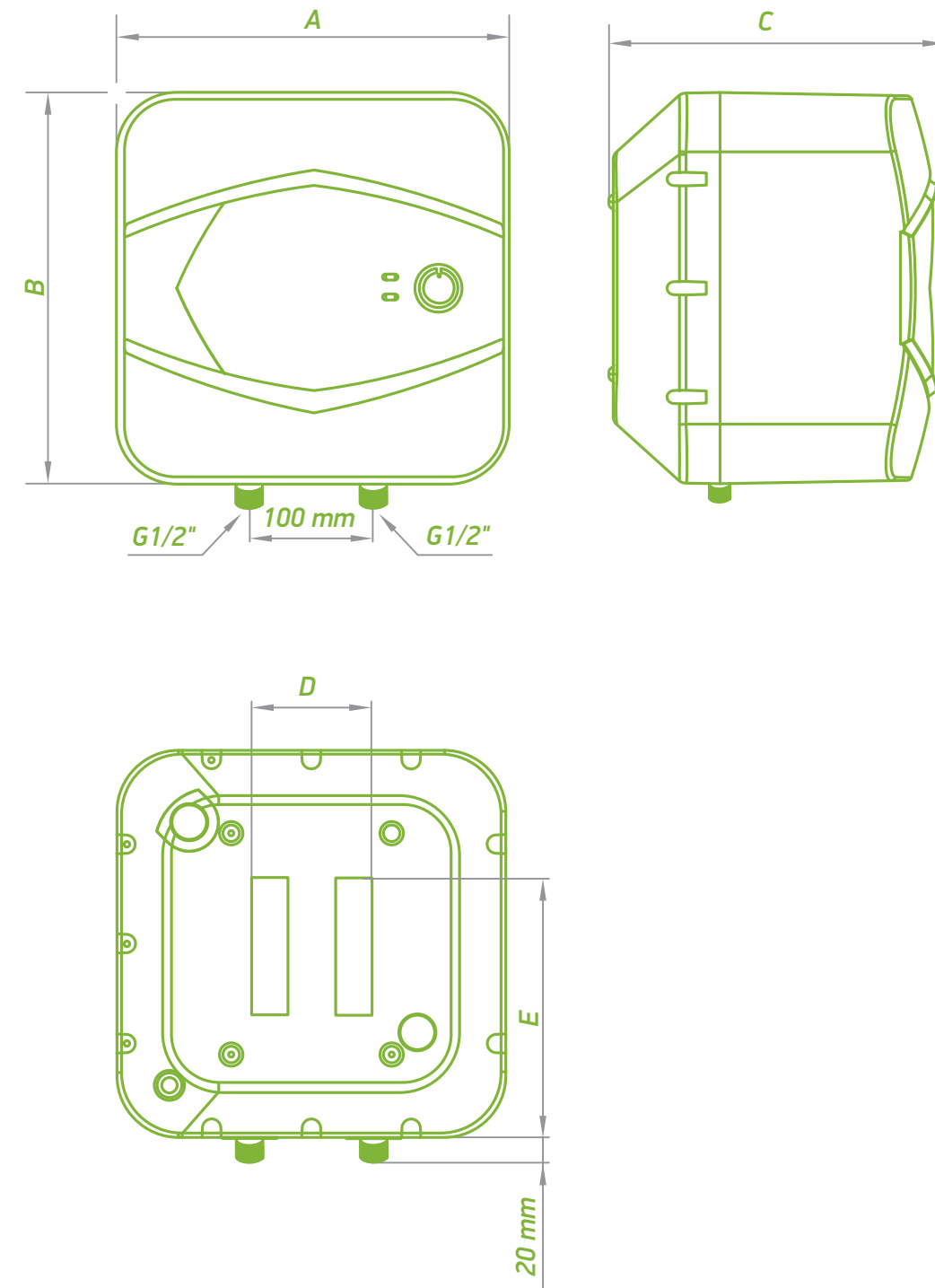
COMPACT SIZE



ABOVE SINK INSTALLATION



UNDER SINK INSTALLATION



PRODUCT DIMENSIONS		COMPACT 7 A	COMPACT 7 U
CODE		GCA 0715 G01 RC	GCU 0715 G01 RC
height (A)	mm	315	315
width (B)	mm	315	315
depth (C)	mm	278	278



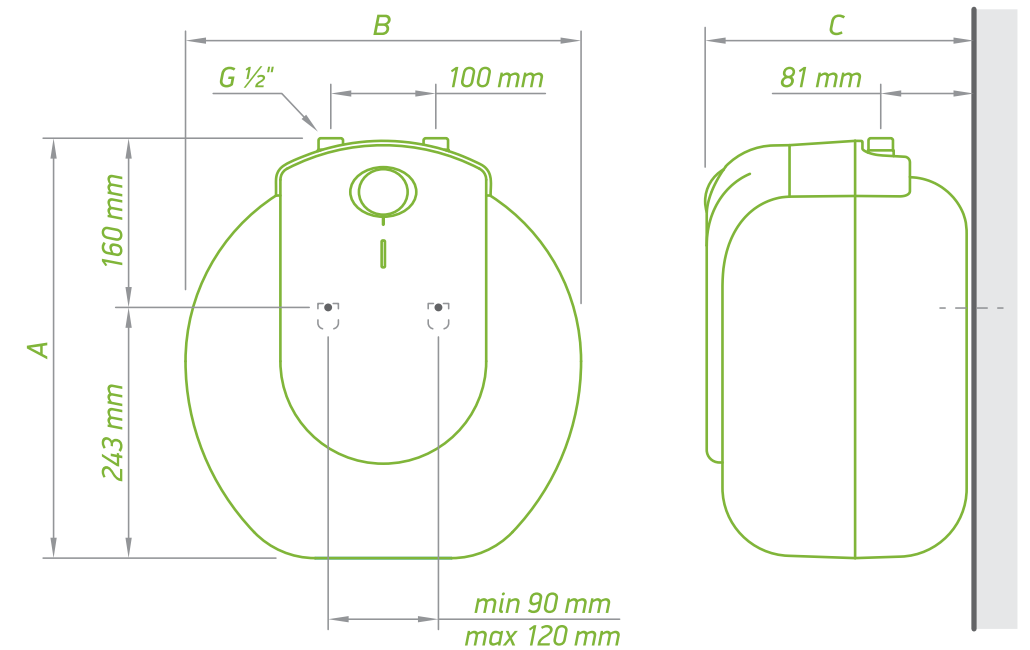
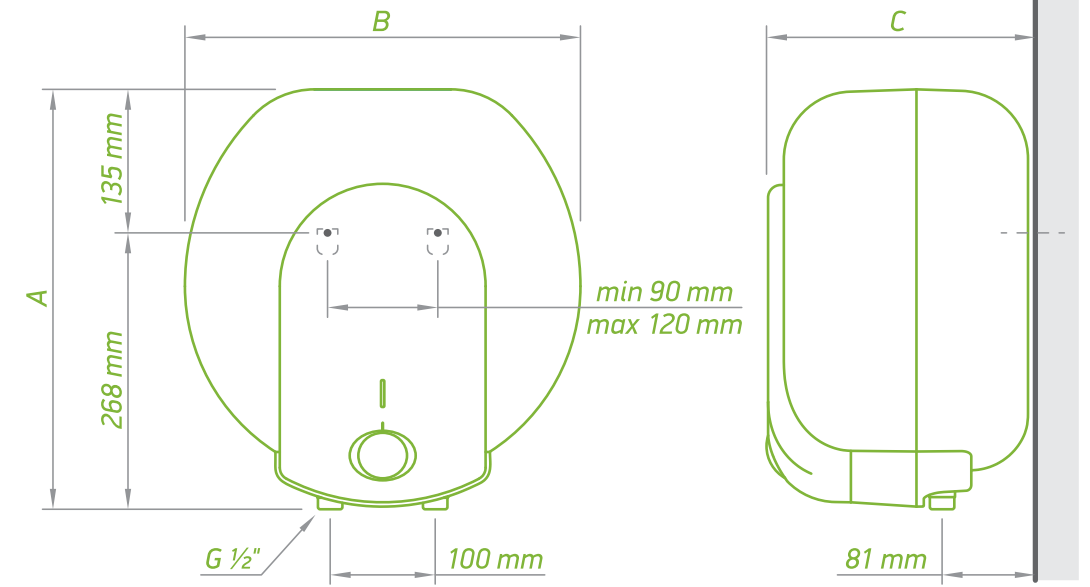
Compact 10/15

- ELEGANT COMPACT DESIGN**
- SAVES SPACE**
- CONVENIENT PUSH-PUSH THERMOREGULATOR**
for smooth water temperature setting
- BILIGHT INDICATION:**
 - Red light for Heating mode
 - Blue light for Ready-to-use mode
- ABOVE AND UNDER THE SINK INSTALLATION**
- Range 10 L - 15 L

MODEL		COMPACT 10 A	COMPACT 15 A	COMPACT 10 U	COMPACT 15 U
CODE		GCA 1015 L52 RC	GCA 1515 L52 RC	GCU 1015 L52 RC	GCU 1515 L52 RC
Real Volume	L	10	15	10	15
Rated power	W	1500	1500	1500	1500
Heating time -Δ t 45 K (15 - 60° C)		0 h 20 min	0 h 31 min	0 h 20 min	0 h 31 min
Annual consumption of electricity AEC	kWh	525	534	573	571
Energy class		A	B	B	B
Load profile		XXS	XXS	XXS	XXS
*T out of box	°C	60	60	60	60
**V 40	L	16	25	15	22
***T max	°C	70	70	70	70
****Max 40	L	18	27	16	27

*T out of box – the optimal working temperature for the certain electric water heater model, set by the producer
 **V 40 – the quantity of hot water, which the electric water heater can produce, while working at T out of box
 ***T max – the maximal working temperature of the electric water heater
 ****Max 40 – the maximal quantity of hot water, which the electric water heater can produce, while working at maximum temperature

- BILIGHT FUNCTION**
- CRYSTALTECH**
- PUSH-PUSH ROTATING KNOB**
- COMPACT SIZE**
- EASY INSTALLATION**
- ABOVE SINK INSTALLATION**
- UNDER SINK INSTALLATION**



PRODUCT DIMENSIONS		COMPACT 10 A	COMPACT 15 A	COMPACT 10 U	COMPACT 15 U
CODE		GCU 1015 L52 RC	GCU 1515 L52 RC	GCU 1015 L52 RC	GCU 1515 L52 RC
height (A)	mm	399	399	399	399
width (B)	mm	377	377	377	377
depth (C)	mm	247	304	247	304

Compact 30



Compact 30

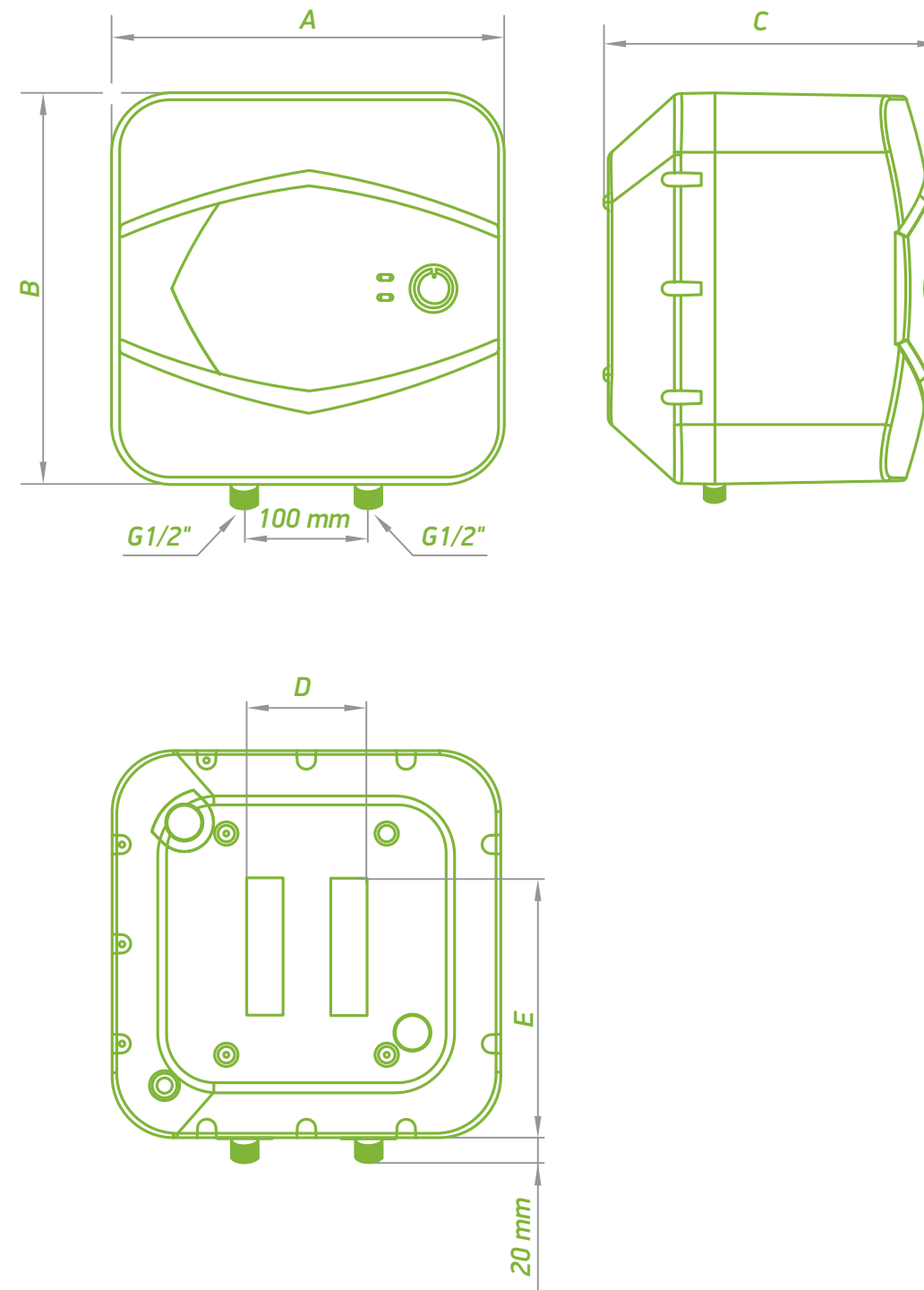
- COPPER HEATING ELEMENT
- ANTICORROSION PROTECTION due to enamel coating
- POLYURETHANE INSULATION
- LIGHT INDICATION FOR:
 - Power supply
 - Working mode
- ABOVE AND UNDER THE SINK INSTALLATION
- FLOOR STANDING INSTALLATION FOR UNDER SINK MODEL

MODEL		COMPACT 30 A	COMPACT 30 U
CODE		GCA 3015 G01 RC	GCU 3015 G01 RC
Real Volume	L	27	27
Rated power	W	1500	1500
Heating time $-\Delta t$ 45 K (15 - 60° C)		0 h 56 min	0 h 56 min
Annual consumption of electricity AEC	kWh	549	559
Energy class		C	C
Load profile		S	S
*T out of box	°C	65	65
**V 40	L	45	44
***T max	°C	65	65
****Max 40	L	45	44

*T out of box – the optimal working temperature for the certain electric water heater model, set by the producer
 **V 40 – the quantity of hot water, which the electric water heater can produce, while working at T out of box
 ***T max – the maximal working temperature of the electric water heater
 ****Max 40 – the maximal quantity of hot water, which the electric water heater can produce, while working at maximum temperature

Compact 30

- EASY INSTALLATION
- ADJUSTABLE THERMOREGULATOR
- ANODE PROTECTOR
- COMPACT SIZE
- ABOVE SINK INSTALLATION
- UNDER SINK INSTALLATION



PRODUCT DIMENSIONS		COMPACT 30 A	COMPACT30 U
CODE		GCA 3015 G01 RC	GCU 3015 G01 RC
height (A)	mm	445	445
width (B)	mm	445	445
depth (C)	mm	383	383



Tesy Ltd.

Sofia Park, Building 16 V, 2nd Floor
1166 Sofia, Bulgaria

www.tesy.com



This catalogue is a marketing material and it is not an offer.
For specific models, please contact your dealer.

Copyright © All Rights Reserved, v. 1 2021 – TESIY Ltd.